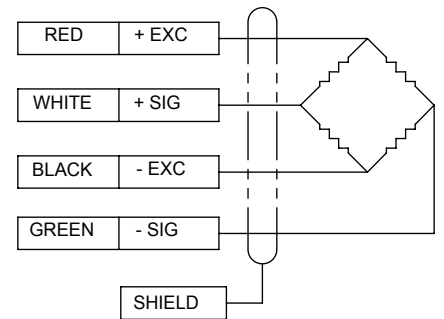
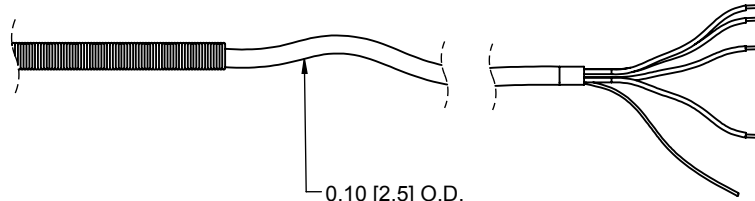
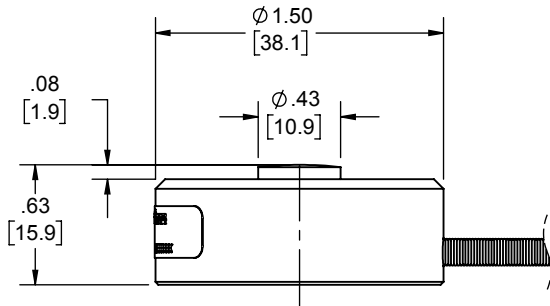


LOAD CELL CHARACTERISTICS	
CAPACITY	5K, 7.5K, 10K (lbf)

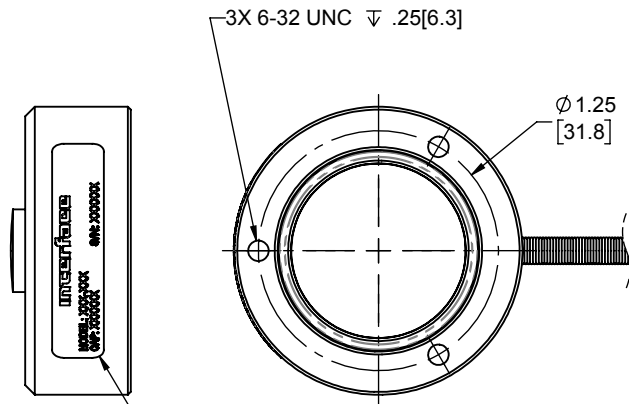
Interface Inc. claims proprietary rights in the information disclosed herein. This drawing is furnished in confidence on the express understanding that neither it nor any reproduction thereof will be disclosed to others or used for the purpose of manufacture or procurement of the article or part shown herein without written permission of Interface Inc. The drawing shall remain the property of Interface Inc. and shall be returned upon request by Interface Inc.

80447

REVISIONS			
REV.	DESCRIPTION	DATE	APPROVED
A	INITIAL RELEASE	09/29/04	
B	ADDED THE 7.5K CAPACITY	12/06/07	
C	REDRAWN, UPDATED TO CURRENT STDS	08/08/2018	JR
D	CHANGED LABEL TO 15397, MOVED LABEL POSITION	08/23/2018	JR



COMPRESSION UPSCALE



IDENTIFICATION LABEL: MODEL, CAPACITY, SERIAL NUMBER

2 STANDARD CABLE LENGTH IS 5FT. [3M].
NON-STANDARD CABLE LENGTH PER OPTION CODE.

1. OUTPUT = 2.00 mV/V NOMINAL.

UNLESS OTHERWISE SPECIFIED DIMENSIONS ARE IN INCHES [mm]	
TOLERANCES ARE:	
ANGLES	± 0° 30'
.XX	± .01 [0.25]
.XXX	± .005 [0.13]
CREATOR	DATE
DESIGNED:	
DETAILED:	11/14/03
JEP	
WEIGHT: (APPROX)	0.22 (lbs)

Interface
FORCE MEASUREMENT SOLUTIONS. 7418 E. HELM DRIVE
SCOTTSDALE, AZ 85260 USA

TITLE:
**OUTLINE MODEL:
LBM-5K, 7.5K, 10K**

SIZE: DWG. NO: **80447** REV: **D**

SCALE: 1:1 SHEET 1 OF 1