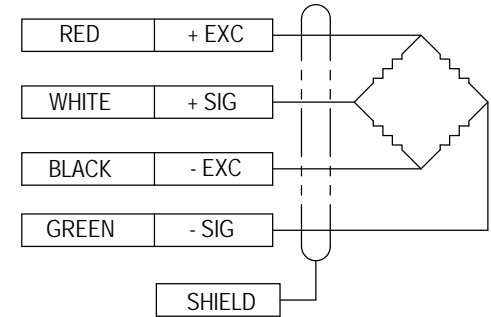
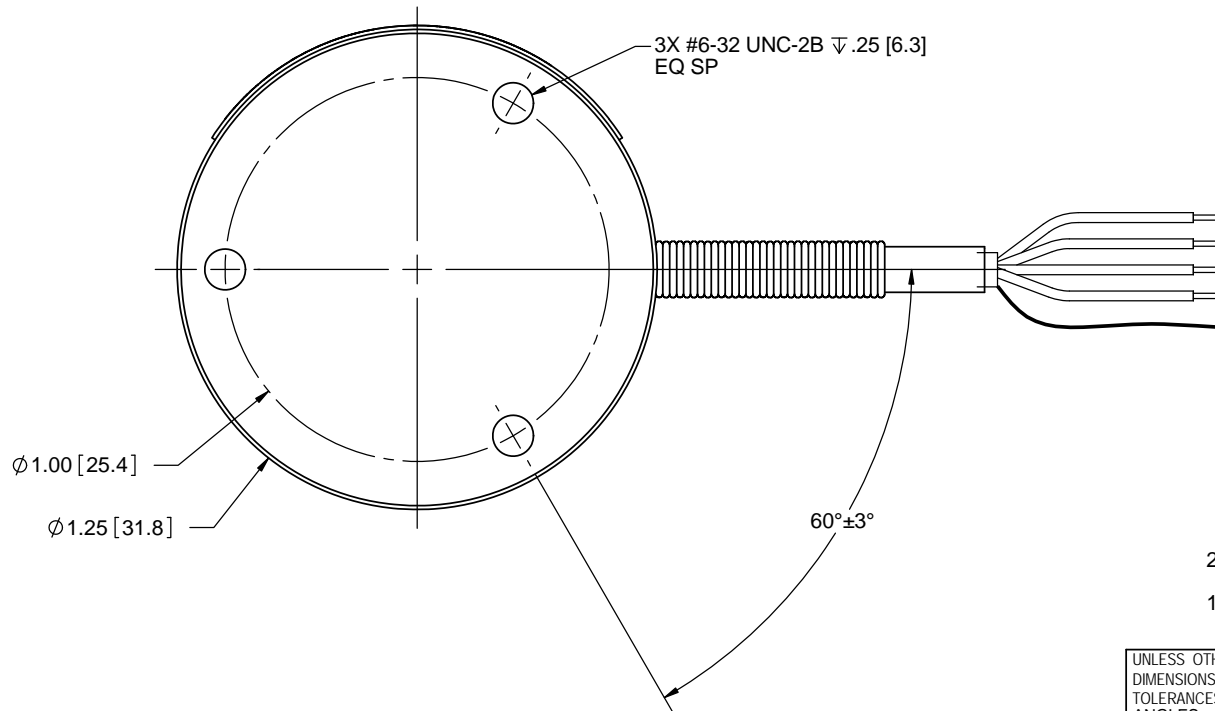
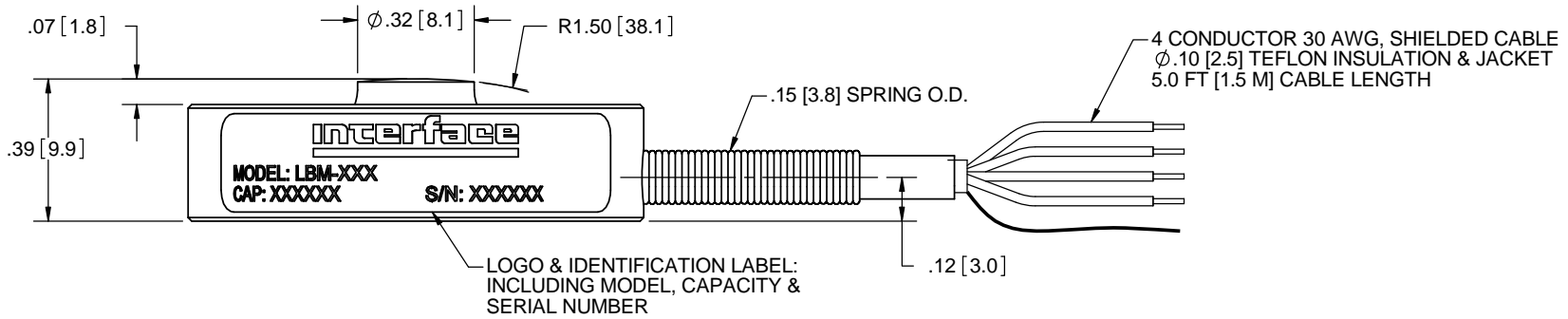


Interface Inc. claims proprietary rights in the information disclosed herein. This drawing is furnished in confidence on the express understanding that neither it nor any reproduction thereof will be disclosed to others or used for the purpose of manufacture or procurement of the article or part shown hereon without written permission of Interface Inc. The drawing shall remain the property of Interface Inc. and shall be returned upon request by Interface Inc.

80675

REVISIONS

REV.	DESCRIPTION	DATE	APPROVED
A	INITIAL RELEASE	04/03/07	
B	ADDED DIM 7 * 8, 9 WAS 7 ORIG.	06/06/12	
C	LOCATED CABLE RELATIVE TO MTG HOLES	10/23/12	
D	REMOVED OUTPUT FROM LABEL DESC	07/29/13	<b>ml</b>
E	UPDATED TO SHOW LABEL ORIENTATION	02/04/16	DLC



COMPRESSION UPSCALE

2. OUTPUT: 2 mV/V

1. FLEXURE MATERIAL: STAINLESS STEEL

UNLESS OTHERWISE SPECIFIED  
DIMENSIONS ARE IN INCHES [mm]  
TOLERANCES ARE:  
ANGLES  $\pm 0^{\circ} 30'$   
.XX  $\pm .01$  [0.25]  
.XXX  $\pm .005$  [0.13]

CREATOR	DATE
DESIGNED:	
DETAILED: JEP	03/29/07
WEIGHT: (APPROX) 0.083 (lbs)	

**interface**  
ADVANCED FORCE MEASUREMENT  
7401 E. BUTHERUS DR. SCOTTSDALE, AZ USA 85260

TITLE:  
**OUTLINE, MODEL: LBM-250,  
-500, -1K, -2K, 2000N, 9000N**

SIZE: DWG. NO: **80675** REV: **E**

SCALE: 2:1 SHEET 1 OF 1