

Quick Guide

Mounting Accessory HPP271MOUNTINGSET1 / HPP272MOUNTINGSET1

Through-Wall Installation Kit for HPP271 and HPP272

The optional through-wall installation kits for HPP271 (HPP271MOUNTINGSET1) and HPP272 (HPP272MOUNTINGSET1) allow installing the Vaisala HPP270 series H₂O₂ probes into the monitored process through the process wall.



The figure below shows an example installation for HPP272. The HPP271 installation kit is otherwise the same, but does not include the HPP272-specific temperature probe lead-through.

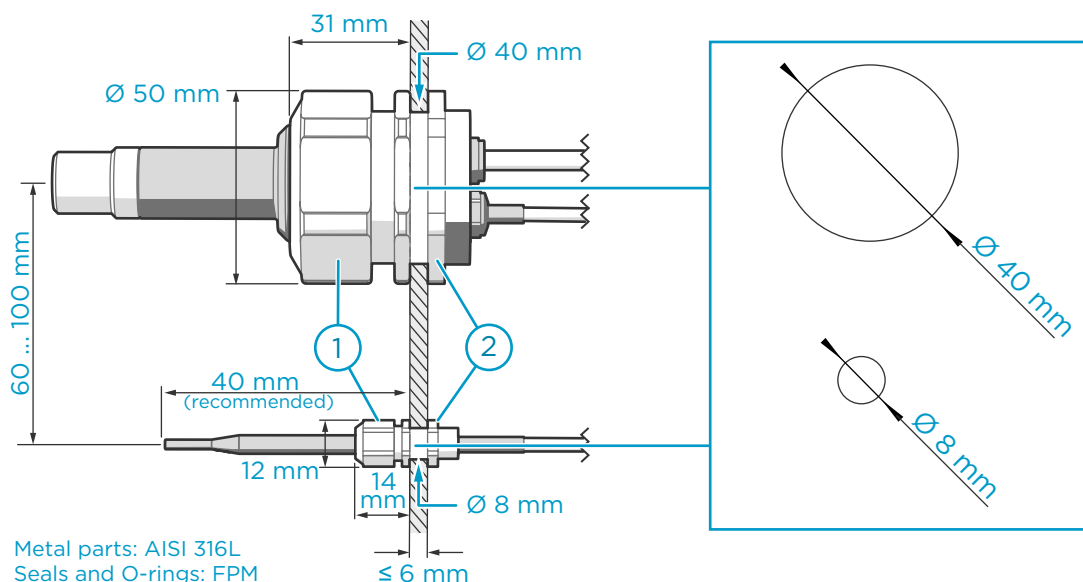


Figure 1 Through-Wall Installation Example for HPP272

- 1 Nut for tightening the probe in place (temperature probe gland for HPP272 only)
- 2 Nut for mounting the gland (temperature probe gland for HPP272 only)



Seal the lead-throughs on the metal body of the probes.



HPP272 only: Install the main probe body and the temperature probe 60 ... 100 mm (2.36 ... 3.93 in) apart from each other. The temperature probe must be far enough to prevent heat from the main probe body from affecting the temperature measurement, but close enough so that the two probes measure the same environment. When installing the probes horizontally, place the temperature probe downstream of the warmed main probe body.



HPP271MOUNTINGSET1/HPP272MOUNTINGSET1 Dimensions

Figure 2 (page 2) shows the dimensions of the gland through-wall installation accessory HPP271MOUNTINGSET1/HPP272MOUNTINGSET1 in millimeters and [inches].

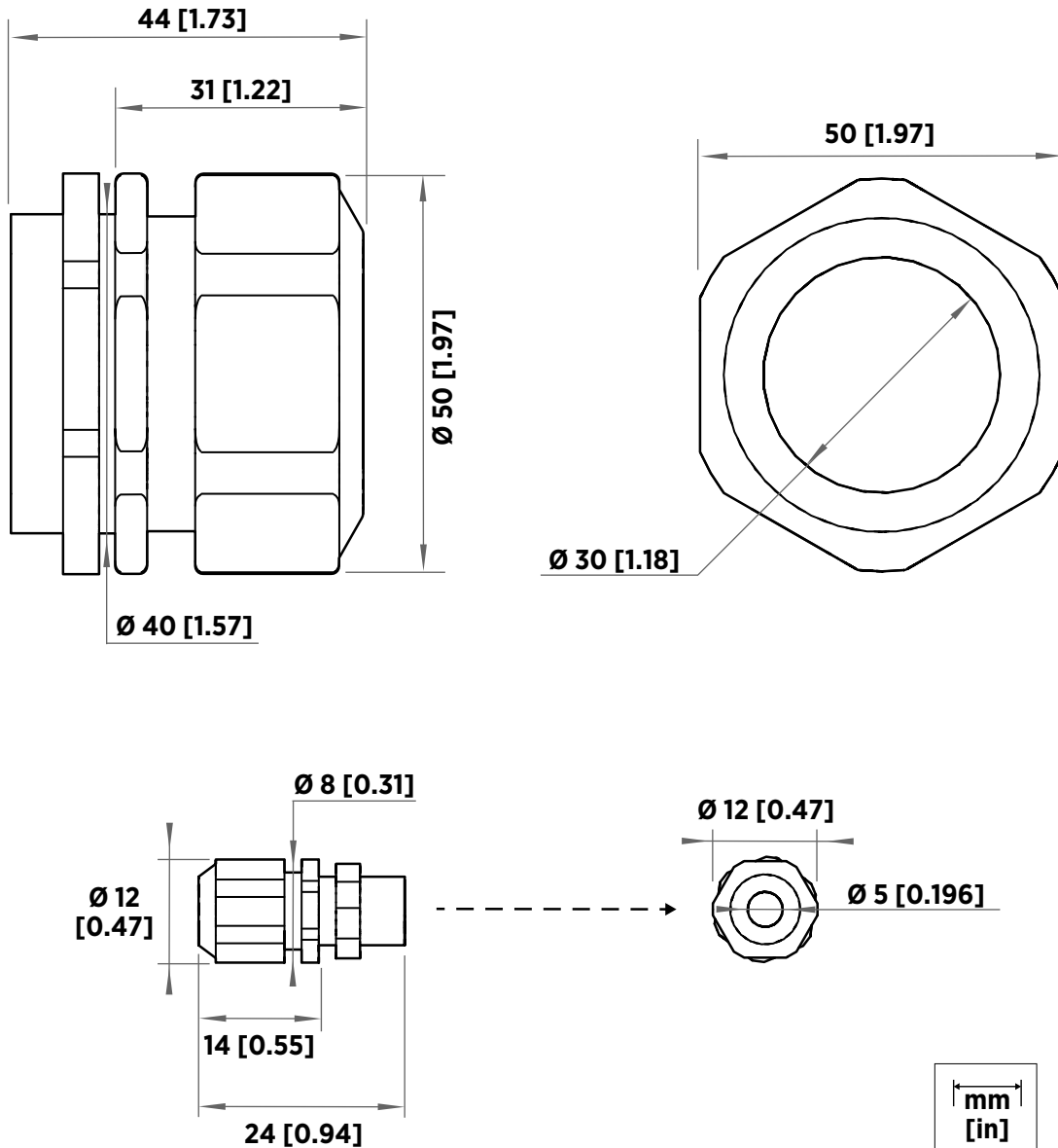


Figure 2 HPP271MOUNTINGSET1/HPP272MOUNTINGSET1 Dimensions