

# SPI PLATFORM SCALE LOAD CELL (U.S. & METRIC)

## FEATURES & BENEFITS

- Proprietary Interface temperature compensated strain gages
- 0.01% non-repeatability
- 400% compression overload protection
- 0.0008% / °F temp. effect on output
- Eccentric load compensated
- Space saving narrow housing per DIN EN 50022

## SPECIFICATIONS

ACCURACY – (MAX ERROR)				
Nonlinearity – %FS		±0.02		
Hysteresis – %FS		±0.02		
Nonrepeatability – %RO		±0.01		
Creep, in 20 min – %		±0.025		
Eccentric Load Sensitivity – % / in		0.012		
TEMPERATURE				
Compensated Range	°F	+15 to +115		
	°C	-10 to +45		
Operating Range	°F	-65 to +200		
	°C	-55 to +90		
Effect on Output – % / deg	°F	±0.0008		
Effect on Zero – %RO / deg	°F	±0.0015		
ELECTRICAL				
Rated Output – mV/V (Nominal)		3.0		
Zero Balance – %RO		±5.0		
Bridge Resistance – Ohm (Nominal)		350		
Excitation Voltage – MAX VDC		15		
Insulation Resistance – Megohm		5000		
MECHANICAL				
Calibration		Comp.		
Safe Overload – %CAP		400		
NATURAL FREQUENCY/DEFLECTION				
lbf	N	Deflection		Nat. Freq. – Hertz
		in	mm	
3	13.3	0.015	0.38	130
7.5	33.4	0.009	0.23	220
15	66.7	0.009	0.23	220
Material		Aluminum		

## STANDARD CONFIGURATION



Model SPI (Shown)

## OPTIONS

- Standardized output
- Custom calibration
- Transducer Electronic Data Sheet (TEDS)
- Add connector to cable
- Special temperature range

## ACCESSORIES

- Instrumentation

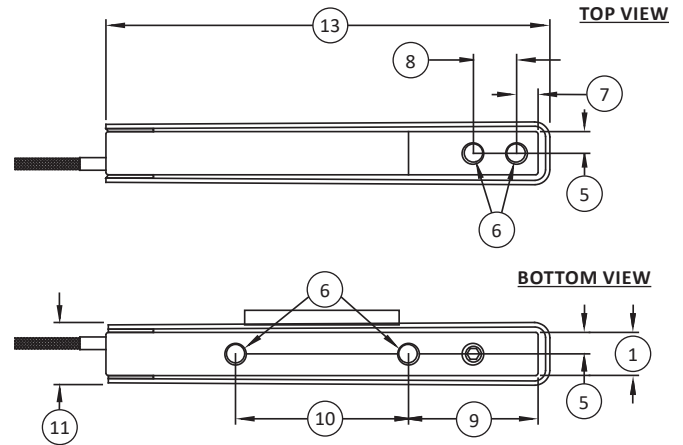
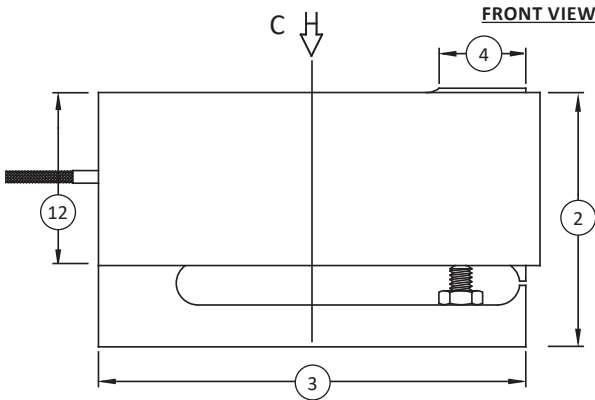
## CONNECTOR OPTIONS

- 5 ft (1.5 m) integral cable

International System of Units (SI) dimensions and capacities are provided for conversion only. Standard products have U.S. capacities and dimensions. SI capacities available upon special request and at an additional cost.

\* Consult factory for more technical information

# SPI PLATFORM SCALE LOAD CELL (U.S. & METRIC)



Notes:  
\* C indicates compression load direction / primary axis

## DIMENSIONS

See Drawing	CAPACITY					
	U.S. (lbf)	Metric (N)	U.S. (lbf)	Metric (N)	U.S. (lbf)	Metric (N)
	3	13.3	7.5	33.4	15	66.7
	in	mm	in	mm	in	mm
(1)	0.38	9.60	0.50	12.7	1.00	25.4
(2)	2.99	75.9	2.99	75.9	2.99	75.9
(3)	5.00	127	5.00	127	5.00	127
(4)	1.00	25.4	1.00	25.4	1.00	25.4
(5)	0.19	4.80	0.25	6.40	0.5	12.7
(6)	10-32 UNF-2B ↓ 0.50	10-32 UNF-2B ↓ 12.7	¼-28 UNF-2B ↓ 0.56	¼-28 UNF-2B ↓ 14.2	¼-28 UNF-2B ↓ 0.56	¼-28 UNF-2B ↓ 14.2
(7)	0.25	6.40	0.25	6.40	0.25	6.40
(8)	0.50	12.7	0.50	12.7	0.50	12.7
(9)	1.50	38.1	1.50	38.1	1.50	38.1
(10)	2.00	50.8	2.00	50.8	2.00	50.8
(11)	0.62	15.7	0.75	19.0	1.25	31.8
(12)	2.00	50.8	2.00	50.8	2.00	50.8
(13)	5.13	130.3	5.13	130.3	5.13	130.3