

SMTM MICRO S-TYPE LOAD CELL (U.S. & METRIC)

FEATURES & BENEFITS

- Capacity 5, 25, 50 lbf (20, 100, 200 N)
- Can be used in tension & compression
- Micro sized – 0.68 x 0.75 x 0.29 in (17.3 x 19.1 x 7.3 mm)
- Excellent temperature compensation (0.005% / °F temperature effect on output)
- Overload protected up to 10x capacity

SPECIFICATIONS

ACCURACY – (MAX ERROR)		
Nonlinearity – %FS		±0.1
Hysteresis – %FS		±0.1
Nonrepeatability – %RO		±0.05
Creep, in 20 min – %		±0.1
TEMPERATURE		
Compensated Range	°F	+60 to +165
	°C	+15 to +75
Operating Range	°F	-55 to +200
	°C	-50 to +95
Effect on Output – % / deg	°F	±0.005
	°C	±0.010
Effect on Zero – %RO / deg	°F	±0.015
	°C	±0.018
ELECTRICAL		
Rated Output – mV/V (Nominal)		2.0
Zero Balance – %RO		±3.0
Bridge Resistance – Ohm (Nominal)		350
Excitation Voltage – VDC MAX		5
Insulation Resistance – Megohm		> 2500
MECHANICAL		
Calibration		Tension
Safe Overload – % CAP		1000**
Material	5 (lbf)	Aluminum
	20 (N)	
	25 - 50 (lbf)	Alloy Steel
	100 - 200 (N)	



Model SMTM (Shown)

OPTIONS

- Cable length
- Custom calibration
- Standardized output
- Transducer Electronic Data Sheet (TEDS)
- Add connector to cable
- Special temperature range

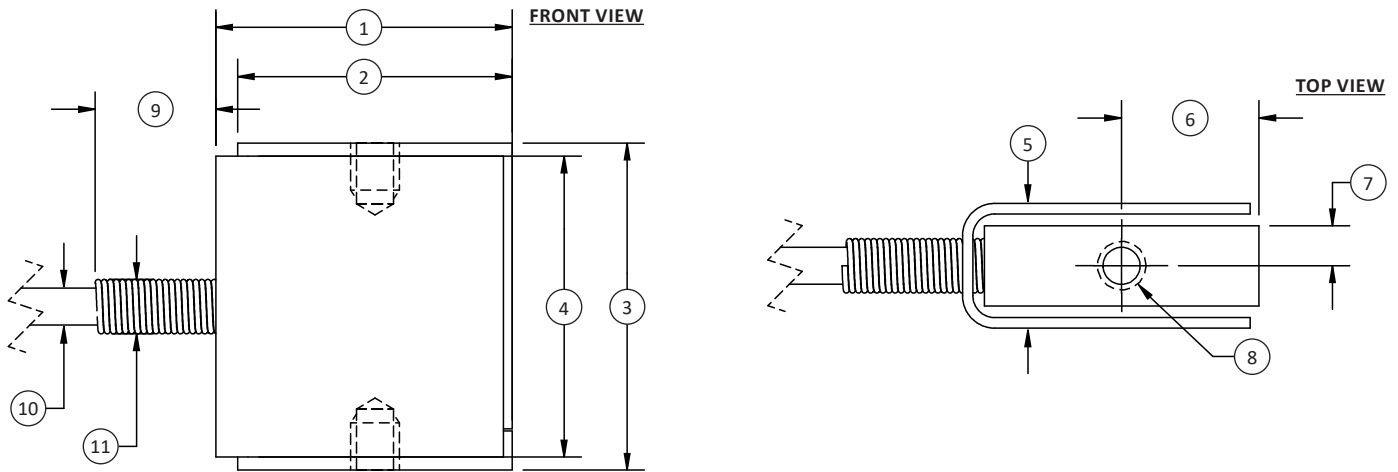
ACCESSORIES

- Instrumentation
- Mounting hardware

CONNECTION OPTIONS

- 5 ft (1.5 m) integral cable

SMTM MICRO S-TYPE LOAD CELL (U.S. & METRIC)



DIMENSIONS

See Drawing	U.S. (lbf)	Metric (N)
	5, 25, 50	20, 100, 200
	in	mm
(1)	0.68	17.3
(2)	0.63	16.0
(3)	0.75	19.1
(4)	0.69	17.5
(5)	0.29	7.3
(6)	0.32	8.0
(7)	0.09	2.3
(8)	#4-40 UNC-2B ↓ 0.11	M3x0.5-6H ↓ 2.8
(9)	0.27	6.9
(10)	∅0.08	∅2.1
(11)	∅0.13	∅3.3

International System of Units (SI) dimensions and capacities are provided for conversion only. Standard products have U.S. capacities and dimensions. SI capacities available upon special request and at an additional cost.