

SMT S-TYPE OVERLOAD PROTECTED LOAD CELL (U.S. & METRIC)

FEATURES & BENEFITS

- Proprietary Interface temperature compensated strain gages
- Overload protected in both tension and compression
- Safe overload to 10X capacity
- Low creep
- 1.1 to 450 lbf (5 - 2000 N)
- High performance

SPECIFICATIONS

ACCURACY - (MAX ERROR)				
Nonlinearity – %FS		±0.05		
Hysteresis – %FS		±0.03		
Non-repeatability – %RO		±0.02		
Creep, in 20 min – %		±0.025		
TEMPERATURE				
Compensated Range	°F	0 to +125		
	°C	-15 to +50		
Operating Range	°F	-10 to +175		
	°C	-25 to +80		
Effect on Output – % MAX	°F	±0.0010		
	°C	±0.0018		
Effect on Zero – %RO MAX	°F	±0.0015		
	°C	±0.0027		
ELECTRICAL				
Rated Output – mV/V (Nominal)		2.0		
Zero Balance – %RO		±3.0		
Bridge Resistance – Ohm (Nominal)		350		
Excitation Voltage – VDC MAX		15		
Insulation Resistance – Megohm		> 5000		
MECHANICAL				
Calibration		T & C		
Safe Overload – % CAP	1.1, 2.2, 5.6, 11, 22, 56 lbf	1000		
	5, 10, 25, 50, 100, 250 N			
	112, 225, 450 lbf	500		
	500, 1000, 2000 N			
NATURAL FREQUENCY/DEFLECTION				
lbf	N	Deflection		Nat. Freq. (Hz)
		in	mm	
1.1	5	0.014	0.356	100
2.2	10	0.012	0.305	160
5.6	25	0.011	0.279	260
11	50	0.009	0.229	380
22	100	0.007	0.178	600
56	250	0.006	0.152	900
112	500	0.007	0.178	600
225	1000	0.007	0.178	1200
450	2000	0.007	0.178	1500
Material		Aluminum		

STANDARD CONFIGURATION



Model SMT1-11 (shown)

OPTIONS

- Cable length
- Standardized outputs
- Custom calibration
- Transducer Electronic Data Sheets (TEDS)
- Add connector to cable
- Special temperature range

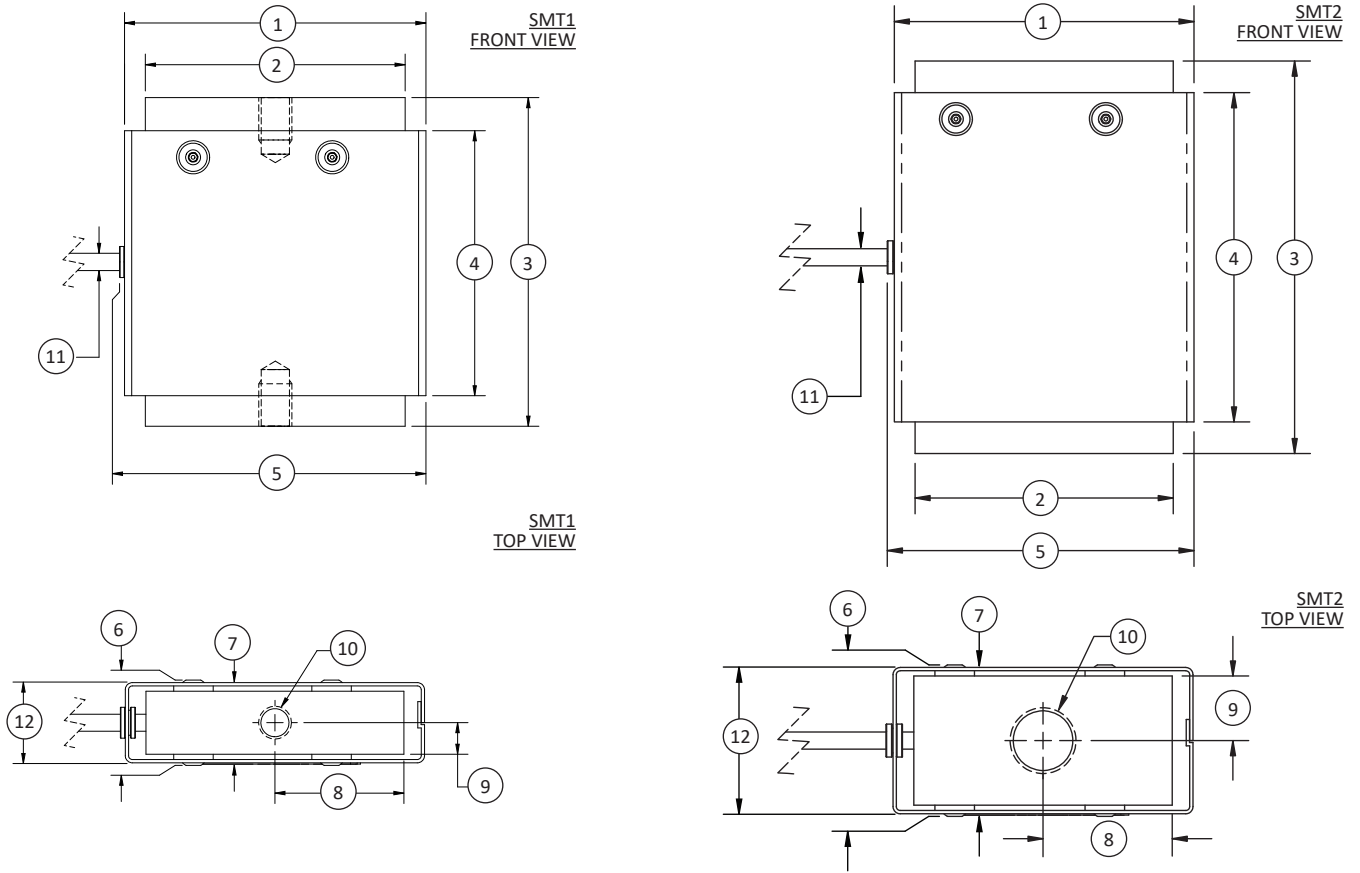
ACCESSORIES

- Instrumentation
- Mounting hardware

CONNECTION OPTIONS

- 5 ft (1.5 m) integral cable

SMT S-TYPE OVERLOAD PROTECTED LOAD CELL (U.S. & METRIC)



DIMENSIONS

See Drawing	MODEL			
	SMT1		SMT2	
	CAPACITY			
	U.S. (lbf)	Metric (N)	U.S. (lbf)	Metric (N)
	1.1, 2.2, 5.6, 11, 22, 56	5, 10, 25, 50, 100, 250	112, 225, 450	500, 1000, 2000
in	mm	in	mm	
(1)	2.28	57.8	2.28	57.8
(2)	1.96	49.8	1.96	49.8
(3)	2.48	63.0	2.98	75.7
(4)	2.00	50.8	2.50	63.5
(5)	2.33	59.2	2.33	59.1
(6)	0.65	16.5	1.15	29.2
(7)	0.60	15.2	1.11	28.2
(8)	0.98	24.9	0.98	24.9
(9)	0.24	6.1	0.49	12.4
(10)	¼-28 UNF-3B ↓ 0.31	M6 x 1-6H ↓ 8.0	½-20 UNF-3B ↓ 0.57	M12 x 1.75-6H ↓ 14.5
(11)	Ø0.13	Ø3.3	Ø0.13	Ø3.3
(12)	0.48	12.2	1.11	28.2

Datasheet: SMT Overload v 2.1 05-31-2019