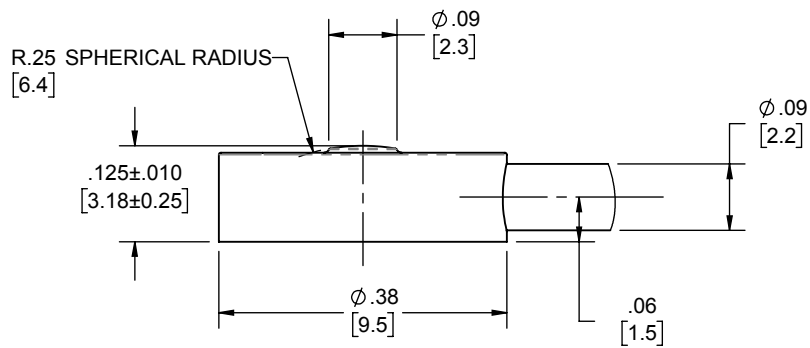
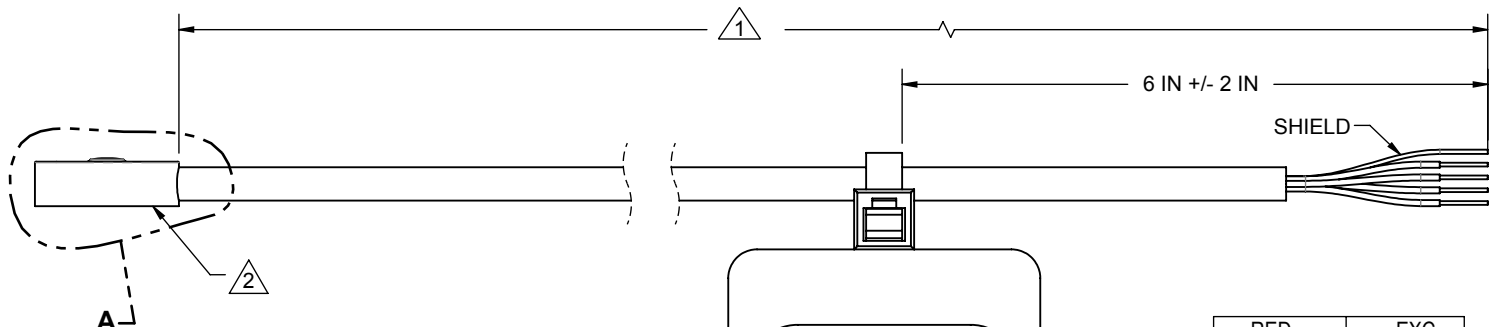
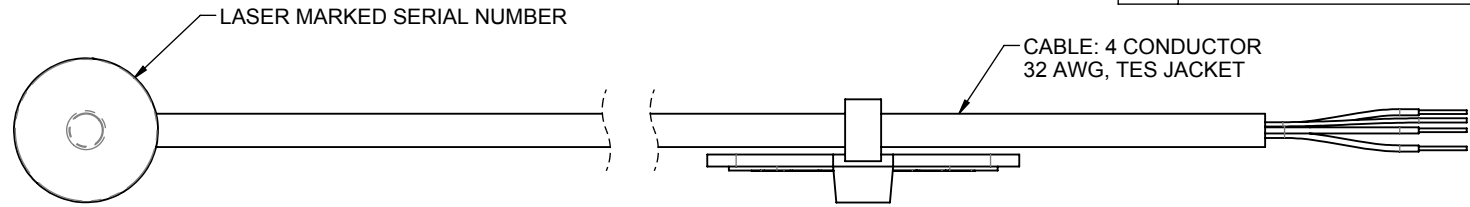


LOAD CELL CHARACTERISTICS	
CAPACITY	5, 10, 25, 50 (lbf)

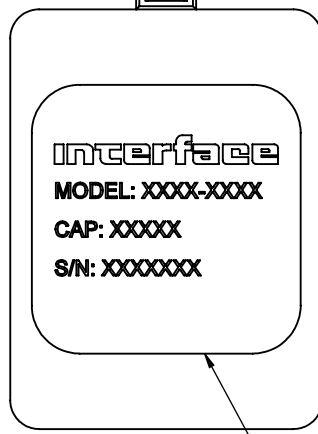
Interface Inc. claims proprietary rights in the information disclosed herein. This drawing is furnished in confidence on the express understanding that neither it nor any reproduction thereof will be disclosed to others or used for the purpose of manufacture or procurement of the article or part shown hereon without written permission of Interface Inc. The drawing shall remain the property of Interface Inc. and shall be returned upon request by Interface Inc.

82884

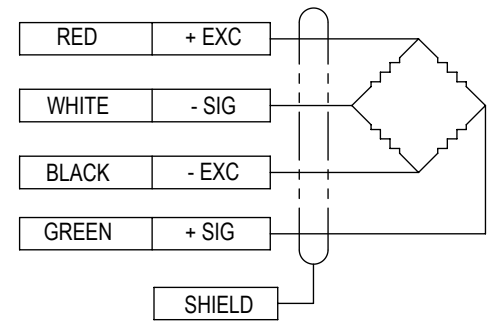
REVISIONS			
REV.	DESCRIPTION	DATE	APPROVED
A	INITIAL RELEASE	12/12/2019	JAMES R.
B	ADDED 6 IN DIM (CABLE TIE LOCATION)	6/4/2020	RMP
C	FLEXURE HGT .125 +/- .010 WAS .13	9/02/2020	JR



**DETAIL A  
SCALE 4 : 1**



IDENTIFICATION LABEL  
INCLUDING: MODEL,  
CAPACITY & SERIAL  
NUMBER



COMPRESSION UPSCALE



Edificio Antalia, Albasanz 16, 28037 Madrid  
915 679 700 | grupoalava.com | alava@grupoalava.com  
MADRID - BARCELONA - ZARAGOZA - LISBOA - DALLAS - MIAMI - LOS ANGELES - LIMA

- 2 FLEXURE MATERIAL: STAINLESS STEEL.
- 1 STANDARD CABLE LENGTH IS 5 FT [1.5M], NON-STANDARD CABLE LENGTH PER OPTION CODE.

UNLESS OTHERWISE SPECIFIED DIMENSIONS ARE IN INCHES [mm]	
TOLERANCES ARE:	
ANGLES	± 0° 30'
.XX	± .01 [0.25]
.XXX	± .005 [0.13]
CREATOR	DATE
DESIGNED: JAMES R.	12/09/19
DETAILED: DAVID C.	12/11/19
WEIGHT: (APPROX) 0.00 (lbs)	

**Interface**  
FORCE MEASUREMENT SOLUTIONS. 7418 E. HELM DRIVE  
SCOTTSDALE, AZ 85260 USA

TITLE:  
**OUTLINE MODEL:  
LBSU -5 THRU -50**

SIZE: DWG. NO: **82884** REV: **C**

SCALE: 2:1 SHEET 1 OF 1