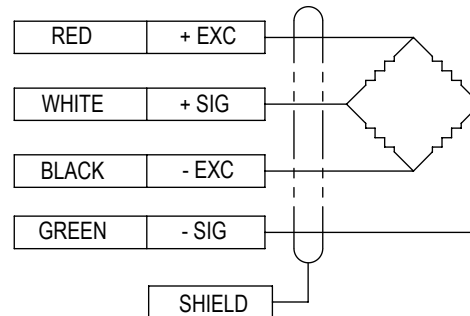
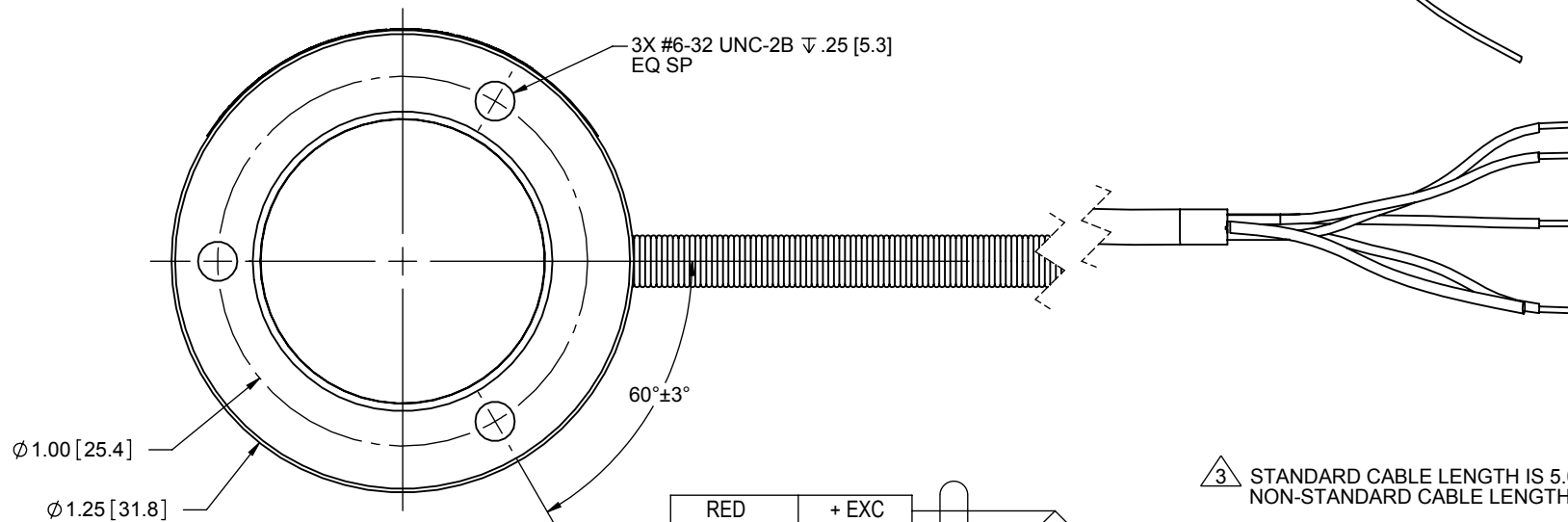
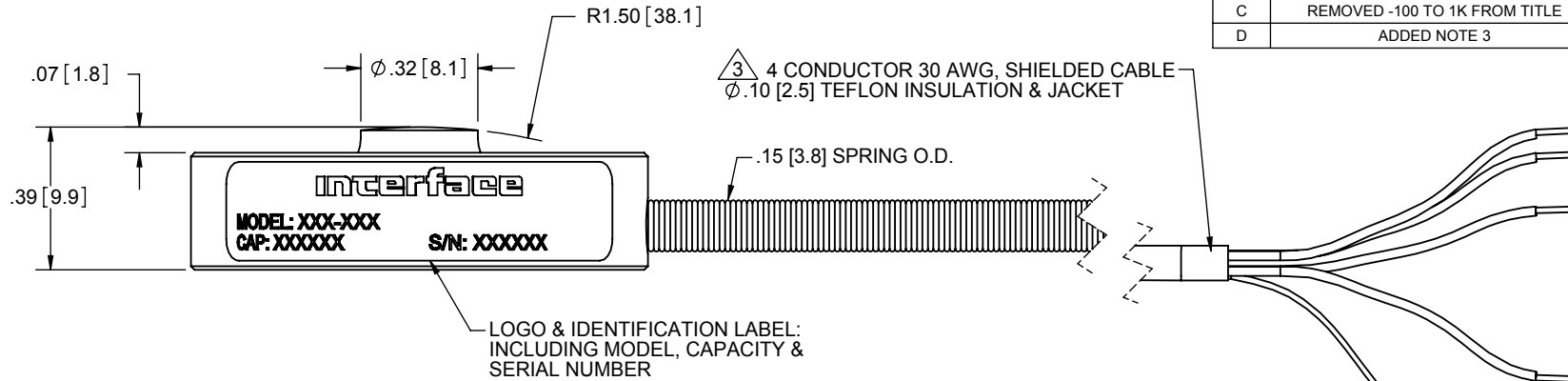


Interface Inc. claims proprietary rights in the information disclosed herein. This drawing is furnished in confidence on the express understanding that neither it nor any reproduction thereof will be disclosed to others or used for the purpose of manufacture or procurement of the article or part shown hereon without written permission of Interface Inc. The drawing shall remain the property of Interface Inc. and shall be returned upon request by Interface Inc.

REVISIONS			
REV.	DESCRIPTION	DATE	APPROVED
A	INITIAL RELEASE	05/21/15	LCG
B	ADDED LOGO AND TEXT TO LABEL	04/19/16	LCG
C	REMOVED -100 TO 1K FROM TITLE	8/1/2017	JR
D	ADDED NOTE 3	09/17/2018	JR



COMPRESSION UPSCALE

- 3 STANDARD CABLE LENGTH IS 5.0 FT [1.5 M] NON-STANDARD CABLE LENGTH PER OPTION CODE.
- 2. OUTPUT: 2 mV/V
- 1. FLEXURE MATERIAL: STAINLESS STEEL

UNLESS OTHERWISE SPECIFIED DIMENSIONS ARE IN INCHES [mm]  
TOLERANCES ARE:  
ANGLES ± 0° 30'  
.XX ± .01 [0.25]  
.XXX ± .005 [0.13]

CREATOR	DATE
DESIGNED: JOE G.	05/13/15
DETAILED: LUIS G.	5/15/2015
WEIGHT: (APPROX) 0.08 (lbs)	

**Interface**  
FORCE MEASUREMENT SOLUTIONS  
7418 E. HELM DRIVE  
SCOTTSDALE, AZ 85260 USA

TITLE:  
**OUTLINE, MODEL LBMU**

SIZE: A	DWG. NO: 81458	REV: D
SCALE: 2:1	SHEET 1 OF 1	

**Alava Ingenieros**  
GRUPO ALAVA  
Edificio Antalia, Albasanz 16, 28037 Madrid  
915 679 700 | grupoalava.com | alava@grupoalava.com  
MADRID · BARCELONA · ZARAGOZA · LISBONA · DALLAS · MIAMI · LOS ANGELES · LIMA