

LBMP OVERLOAD PROTECTED COMPRESSION LOAD BUTTON (U.S. & METRIC)

FEATURES & BENEFITS

- Capacities from 0.01 to 100 kN (2.25 to 22.5K lbf)
- Overload protected
- Temperature compensated
- Small diameter
- Environmentally sealed
- Stainless steel

SPECIFICATIONS

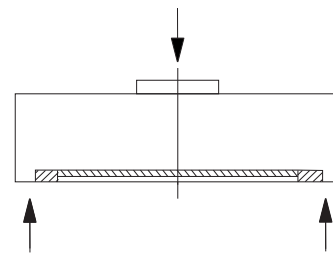
ACCURACY – (MAX ERROR)			
Nonlinearity – %FS		±0.5	
Hysteresis – %FS		±0.5	
Nonrepeatability – %RO		±0.2	
Creep, in 30 min – %		±0.1	
TEMPERATURE			
Effect on Zero – %RO / deg	°C	±0.02	
Effect on Output – % / deg	°C	±0.02	
Compensated Range	°C	0 to +60	
	°F	+32 to +140	
Operating Range	°C	-10 to +70	
	°F	+14 to +158	
ELECTRICAL			
Output – mV/V ± %	(0.01 kN)	0.5 ± 20	
	(2.25 lbf)		
	(0.02-100 kN)	1 ± 20	
	(4.5-22.5K lbf)		
Excitation Voltage – VDC	(0.01 - 0.05 kN)	2 - 6	
	(2.25-11.2 lbf)		
	(0.1 - 100 kN)	2 - 12	
	(22.5-22.5K lbf)		
Bridge Resistance – Ohm		350	
MECHANICAL			
Safe Overload – %CAP	(0.01 - 0.2 kN)	500	
	(0.5 - 100 kN)	300	
Deflection at Rated Capacity	mm	< 0.15	
	in	< 0.006	
IP Rating	(0.01 - 0.02 kN)	IP60	
	(0.05 - 100 kN)	IP65	
Net Weight	kg	(0.01-10 kN)	0.3
	lbs	(2.25-2.25K lbf)	0.66
	kg	(20 kN)	0.4
	lbs	(4.5K lbf)	0.88
	kg	(50 kN)	0.7
	lbs	(11.2K lbf)	1.54
	kg	(100 kN)	1.7
	lbs	(22.5K)	3.75
Material		Stainless steel	

STANDARD CONFIGURATION



Model LBMP-50K (Shown)

LOADING DIAGRAM



OPTIONS

- Special temperature range
- Internal shunt resistor – 100% output
- Standardized output
- Cable length
- Add connector to cable
- Transducer Electronic Data Sheet (TEDS)
- Custom calibration

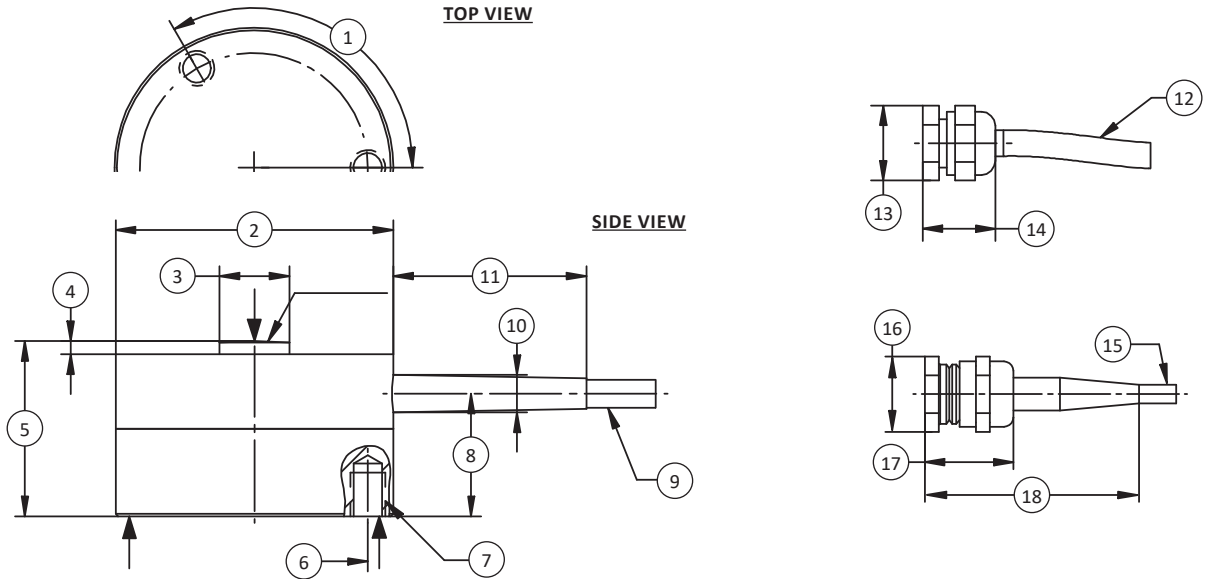
CONNECTOR OPTIONS

- 3 m (10 ft) integral cable

ACCESSORIES

- Instrumentation

LBMP OVERLOAD PROTECTED COMPRESSION LOAD BUTTON (U.S. & METRIC)



DIMENSIONS

See Drawing	CAPACITY							
	Metric (kN)	U.S. (lbf)	Metric (kN)	U.S. (lbf)	Metric (kN)	U.S. (lbf)	Metric (kN)	U.S. (lbf)
	0.01, 0.02, 0.05, 0.1, 0.2, 0.5, 1, 2, 5, 10	2.25, 4.50, 11.2, 22.5, 45, 112, 225, 450, 1.12K, 2.25K	20	4.5K	50	11.2K	100	22.5K
	mm	in	mm	in	mm	in	mm	in
(1)	3 x 120°							
(2)	32 (+0.2)	1.3 (+0.008)	39 (+0.2)	1.5 (+0.008)	52 (+0.2)	2.0 (+0.008)	79 (+0.2)	3.1 (+0.008)
(3)	8	0.3	11	0.4	15	0.6	20	0.8
(4)	1.8 (±0.2)	0.1 (±0.008)	2 (±0.2)	0.1 (±0.008)	3 (±0.2)	0.1 (±0.008)	5 (±0.2)	0.2 (±0.008)
(5)	20 (±0.2)	0.8 (±0.008)	24 (±0.2)	0.9 (±0.008)	40 (±0.2)	1.6 (±0.008)	50 (±0.2)	2.0 (±0.008)
(6)	26 (±0.1)	1.0 (±0.004)	32 (±0.1)	1.3 (±0.004)	42 (±0.1)	1.7 (±0.004)	65 (±0.1)	2.6 (±0.004)
(7)	M4 ↓ 5	0.1574 ↓ 0.2	M3 ↓ 5	0.1181 ↓ 0.2	M4 ↓ 5	0.1574 ↓ 0.2	M5 ↓ 6	0.1968 ↓ 0.2
(8)	14	0.6	12.5	0.49	25	1.0	21	0.8
(9)	∅3.2	∅0.13	-	-	-	-	-	-
(10)	∅4.2	∅0.17	∅4.2	∅0.17	∅4.2	∅0.17	∅4.2	∅0.17
(11)	22	0.9	22	0.9	22	0.9	22	0.9
(12)	-	-	∅3.2	∅0.13	-	-	-	-
(13)	∅10	∅0.4	∅10	∅0.4	∅10	∅0.4	∅10	∅0.4
(14)	9	0.4	9	0.4	9	0.4	9	0.4
(15)	-	-	-	-	∅4.6	∅0.18	∅4.6	∅0.18
(16)	∅17	∅0.7	∅17	∅0.7	∅17	∅0.7	∅17	∅0.7
(17)	19	0.7	19	0.7	19	0.7	19	0.7
(18)	46	1.8	46	1.8	46	1.8	46	1.8

U.S. dimensions and capacities are provided for conversion only. Standard products have International System of Units (SI) capacities and dimensions.



Edificio Antalia, Albasanz 16, 28037 Madrid
 915 679 700 | grupoalava.com | alava@grupoalava.com
 MADRID - BARCELONA - ZARAGOZA - LISBOA - DALLAS - MIAMI - LOS ANGELES - LIMA