

# User Guide

Vaisala Humidity and Temperature Probes  
**HMP60 and HMP110 Series**



PUBLISHED BY

Vaisala Oyj  
Vanha Nurmijärventie 21, FI-01670 Vantaa, Finland  
P.O. Box 26, FI-00421 Helsinki, Finland  
+358 9 8949 1

Visit our Internet pages at [www.vaisala.com](http://www.vaisala.com).

© Vaisala 2020

No part of this document may be reproduced, published or publicly displayed in any form or by any means, electronic or mechanical (including photocopying), nor may its contents be modified, translated, adapted, sold or disclosed to a third party without prior written permission of the copyright holder. Translated documents and translated portions of multilingual documents are based on the original English versions. In ambiguous cases, the English versions are applicable, not the translations.

The contents of this document are subject to change without prior notice.

Local rules and regulations may vary and they shall take precedence over the

information contained in this document. Vaisala makes no representations on this document's compliance with the local rules and regulations applicable at any given time, and hereby disclaims any and all responsibilities related thereto.

This document does not create any legally binding obligations for Vaisala towards customers or end users. All legally binding obligations and agreements are included exclusively in the applicable supply contract or the General Conditions of Sale and General Conditions of Service of Vaisala.

## Table of contents

<b>1.</b>	<b>About this document</b> .....	7
1.1	Version information.....	7
1.2	Related manuals.....	8
1.3	Documentation conventions.....	8
1.4	Trademarks.....	9
<b>2.</b>	<b>Product overview</b> .....	10
2.1	Introduction to HMP60 and HMP110 series.....	10
2.2	Basic features and options.....	12
2.2.1	Output options.....	12
2.2.2	Filter options.....	13
2.3	Installation accessories (optional).....	14
2.3.1	Probe mounting clamp.....	14
2.3.2	Probe mounting flange.....	16
2.3.3	Plastic locking bushing for HMP63 and HMP113.....	17
2.3.4	Duct installation kit for HMP60, HMP110, and HMP110T.....	18
2.3.5	Loop power converter.....	19
2.3.6	Cables.....	19
2.4	Safety.....	20
2.4.1	ESD protection.....	20
2.5	Regulatory compliance.....	21
<b>3.</b>	<b>Installation</b> .....	22
3.1	Mounting HMP60, HMP110, and HMP110T probes.....	22
3.1.1	Probe assembly with duct installation kit.....	22
3.1.2	Drilling instructions for duct installation kit.....	23
3.2	Mounting HMP63 and HMP113 probes.....	23
3.3	Wiring.....	24
3.3.1	Wiring multiple digital devices.....	25
3.3.2	Wiring with the loop power converter.....	26
3.3.3	Power supply requirements.....	27
<b>4.</b>	<b>Modbus communication</b> .....	29
4.1	Using multiple devices over RS-485.....	29
<b>5.</b>	<b>Vaisala Insight software</b> .....	31
5.1	Connecting to Insight software.....	31
<b>6.</b>	<b>Serial line communication</b> .....	33
6.1	Connecting to serial interface.....	33
6.2	Installing the driver for the USB cable.....	34
6.3	Terminal application settings for digital probes.....	35
6.4	Accessing serial line command interface from analog or Modbus mode.....	36
6.5	List of serial commands.....	37

- 6.6 Device information and status..... 38
  - 6.6.1 View device information..... 38
  - 6.6.2 View calibration information..... 39
  - 6.6.3 Enter calibration information..... 40
  - 6.6.4 View order code..... 40
  - 6.6.5 View serial number..... 40
  - 6.6.6 View software version..... 40
- 6.7 Serial line output commands..... 41
  - 6.7.1 Start measurement output..... 41
  - 6.7.2 Stop measurement output..... 41
  - 6.7.3 Output the measurement message once..... 41
- 6.8 Configuring serial line operation..... 42
  - 6.8.1 Set serial line settings..... 42
  - 6.8.2 Set serial interface mode..... 42
  - 6.8.3 Set output interval..... 44
  - 6.8.4 Set measurement filtering..... 44
  - 6.8.5 Set probe address..... 45
  - 6.8.6 Set serial interface delay..... 45
  - 6.8.7 Set measurement units..... 45
- 6.9 Calibration commands..... 46
  - 6.9.1 Calibrate humidity measurement..... 46
  - 6.9.2 Clear adjustment of RH measurement..... 47
  - 6.9.3 Calibrate temperature measurement..... 47
  - 6.9.4 Clear adjustment of T measurement..... 48
  - 6.9.5 View user adjustment parameters..... 48
- 6.10 Other commands..... 48
  - 6.10.1 Set analog output mode..... 48
  - 6.10.2 Set analog output parameters and scaling..... 49
  - 6.10.3 Set analog output error indication level..... 50
  - 6.10.4 Extend analog output range..... 51
  - 6.10.5 Extend maximum RH reading..... 51
  - 6.10.6 Display command list..... 52
  - 6.10.7 Display the currently active errors..... 52
  - 6.10.8 Connect to the probe in POLL mode..... 53
  - 6.10.9 Close the connection in POLL mode..... 54
  - 6.10.10 Reset the probe..... 54
  - 6.10.11 Restore factory settings..... 54
- 7. Maintenance..... 55**
  - 7.1 Periodic maintenance..... 55
    - 7.1.1 Cleaning..... 55
    - 7.1.2 Replacing filter..... 55
  - 7.2 Calibration procedure..... 55
  - 7.3 Adjustment procedure using serial line (HMP110 and HMP113)..... 56
    - 7.3.1 1-point adjustment of RH measurement (HMP110 and HMP113)..... 57
    - 7.3.2 2-point adjustment of RH measurement (HMP110 and HMP113)..... 58
    - 7.3.3 1-point adjustment of T measurement (HMP110, HMP113, and HMP110T)..... 60

7.4	Adjustment procedure using MI70 indicator (HMP110 and HMP113).....	61
7.4.1	1-point adjustment of RH measurement using MI70 indicator (HMP110 and HMP113).....	61
7.4.2	1-point adjustment of temperature measurement using MI70 indicator (HMP110 and HMP113).....	62
7.5	Repair maintenance.....	63
7.5.1	Changing the INTERCAP® sensor (HMP60 and HMP63).....	63
7.5.2	Changing the HUMICAP® 180R/180V sensor (HMP110 and HMP113).....	64
<b>8.</b>	<b>Troubleshooting</b> .....	<b>66</b>
8.1	Analog output error notification.....	66
8.2	Solving typical problems.....	66
8.3	Error messages in Insight software.....	67
8.4	Error codes in MI70 Handheld Meter.....	68
8.5	Unknown serial settings.....	69
<b>9.</b>	<b>Technical data</b> .....	<b>70</b>
9.1	HMP60 specifications.....	70
9.2	HMP63 specifications.....	72
9.3	HMP110 specifications.....	75
9.4	HMP113 specifications.....	78
9.5	Probe dimensions.....	81
9.5.1	HMP60, HMP110, and HMP110T dimensions.....	81
9.5.2	HMP63 and HMP113 dimensions.....	82
9.6	Spare parts and accessories.....	83
	<b>Appendix A: Modbus reference</b> .....	<b>85</b>
A.1	Communication settings.....	85
A.2	Function codes.....	85
A.3	Data encoding.....	86
A.3.1	32-bit floating point or 32-bit integer format.....	86
A.3.2	16-bit integer format.....	86
A.4	Modbus registers.....	87
A.4.1	Measurement data registers.....	87
A.4.2	Configuration registers.....	88
A.4.3	Status registers.....	89
A.4.4	Test value registers.....	90
A.5	Device identification objects.....	91
A.6	Modbus communication examples.....	92
	<b>Maintenance and calibration services</b> .....	<b>95</b>
	<b>Warranty</b> .....	<b>95</b>
	<b>Technical support</b> .....	<b>95</b>
	<b>Recycling</b> .....	<b>95</b>

## List of figures

Figure 1	HMP60 and HMP110 series probes.....	11
Figure 2	Filters for HMP60, HMP110, and HMP110T.....	13
Figure 3	Filters for HMP63 and HMP113.....	14
Figure 4	Probe mounting clamp in use.....	14
Figure 5	Probe mounting flange.....	16
Figure 6	HMP113 with plastic locking bushing.....	17
Figure 7	Probe installation with the duct installation kit.....	18
Figure 8	Loop power converter.....	19
Figure 9	Cable with threaded connector.....	19
Figure 10	USB cable for PC connection.....	20
Figure 11	Assembly of the probe with duct installation kit.....	22
Figure 12	Drilling instructions .....	23
Figure 13	M8 4-pin male connector.....	24
Figure 14	Wiring multiple devices using local power supply.....	26
Figure 15	Wiring multiple devices using common power supply.....	26
Figure 16	Wiring with the loop power converter module.....	27
Figure 17	Connecting probe to Insight.....	31
Figure 18	PuTTY terminal application.....	36
Figure 19	HMP60, HMP110, and HMP110T dimensions in mm [in].....	81
Figure 20	Installation with plastic M12 nuts.....	82
Figure 21	HMP63 and HMP113 dimensions in mm [in].....	82
Figure 22	HMP63 and HMP113 with plastic locking bushing.....	82

## List of tables

Table 1	Document versions (English).....	7
Table 2	Related manuals.....	8
Table 3	Parameters measured by HMP60 and HMP110 series.....	10
Table 4	HMP60 and HMP110 series output options.....	13
Table 5	Grounding methods.....	24
Table 6	Operating voltage ranges.....	27
Table 7	Default Modbus communication settings.....	29
Table 8	Serial line configuration commands for Modbus RTU.....	0
Table 9	Default serial communication settings.....	33
Table 10	List of serial commands (software version 2.4.0).....	37
Table 11	Additional commands for probes with RS-485 output.....	38
Table 12	Serial interface modes.....	43
Table 13	Error messages on ERRS command.....	53
Table 14	Troubleshooting table.....	66
Table 15	Error messages in Insight software.....	67
Table 16	Error codes in MI70.....	68
Table 17	HMP60 measurement performance.....	70
Table 18	HMP60 calculated parameters.....	71
Table 19	HMP60 operating environment.....	71
Table 20	HMP60 inputs and outputs.....	71
Table 21	HMP60 mechanical specifications.....	72
Table 22	HMP63 measurement performance.....	72
Table 23	HMP63 calculated parameters.....	73
Table 24	HMP63 operating environment.....	74
Table 25	HMP63 inputs and outputs.....	74
Table 26	HMP63 mechanical specifications.....	75
Table 27	HMP110 measurement performance.....	75
Table 28	HMP110 calculated parameters.....	76
Table 29	HMP110 operating environment.....	77
Table 30	HMP110 inputs and outputs.....	77
Table 31	HMP110 mechanical specifications.....	78
Table 32	HMP113 measurement performance.....	78
Table 33	HMP113 calculated parameters.....	79
Table 34	HMP113 operating environment.....	80
Table 35	HMP113 inputs and outputs.....	80
Table 36	HMP113 mechanical specifications.....	81
Table 37	HMP60, HMP63, HMP110, and HMP113 spare parts and accessories..	83
Table 38	Modbus communication settings.....	85
Table 39	Supported Modbus function codes.....	85
Table 40	Interpretation of 16-bit signed integer values.....	87
Table 41	Modbus measurement data registers (read-only).....	87
Table 42	Modbus configuration data registers (writable).....	88

Table 43	Modbus status data registers (read-only).....	89
Table 44	Error codes on Modbus interface.....	90
Table 45	Modbus test registers (read-only).....	90
Table 46	Device identification objects.....	91



# 1. About this document

## 1.1 Version information

This document provides information for installing, operating, and maintaining Vaisala Humidity and Temperature Probes HMP60 and HMP110 Series devices.

Table 1 Document versions (English)

Document code	Date	Description
M211060EN-J	October 2020	<p>This document.</p> <p>New content in this version:</p> <ul style="list-style-type: none"> <li>• Information on new supported calculated parameters: wet bulb temperature, absolute humidity, mixing ratio, and enthalpy</li> <li>• <a href="#">Vaisala Insight software (page 31)</a></li> <li>• <a href="#">Error messages in Insight software (page 67)</a></li> <li>• <a href="#">Error codes in MI70 Handheld Meter (page 68)</a></li> </ul> <p>Updated content:</p> <ul style="list-style-type: none"> <li>• <a href="#">Filter options (page 13)</a></li> <li>• <a href="#">Calibration procedure (page 55)</a></li> <li>• Technical data chapters</li> <li>• <a href="#">Modbus reference (page 85)</a></li> </ul> <p>Document format and layout update, quality improvements, and content reorganization.</p>
M211060EN-H	August 2017	<p>Previous version.</p> <ul style="list-style-type: none"> <li>• Removed the separate HMP110D digital output model: digital output is now a selectable option when ordering the HMP110 model (either analog or digital only HMP110 selected when ordering).</li> <li>• Added information on HUMICAP® 180V sensor option.</li> <li>• Added instructions on wiring multiple devices to the RS-485 interface and updated Modbus specification with information on maximum number of connected probes.</li> <li>• Replaced plastic grid spare part DRW236214SP with DRW240185SP and membrane filter spare part 230727SP with ASM210856SP.</li> <li>• Added new porous sintered PTFE filter DRW244938SP to spare parts.</li> <li>• Updated relative humidity accuracy specifications updated.</li> </ul>

Document code	Date	Description
M211060EN-G	January 2016	<ul style="list-style-type: none"> <li>• Added Modbus protocol.</li> <li>• Updated instructions for switching the probe to serial mode from analog or Modbus mode.</li> <li>• Updated relative humidity factory calibration uncertainty specification.</li> <li>• Added information about using HMP110 with an MI70 indicator when in analog mode.</li> <li>• Added instructions for entering calibration information with the <b>CDATE</b> and <b>CTEXT</b> commands.</li> </ul>

## 1.2 Related manuals

Table 2 Related manuals

Document code	Name
M211059EN	<i>Vaisala Humidity and Temperature Probes HMP60 and HMP110 Series Multilingual Quick Guide</i>
M210297EN	<i>Vaisala Handheld Humidity and Temperature Meter HM70 User Guide</i>
M211080EN	<i>Vaisala Mounting Flange for Humidity Probes Quick Reference Guide</i>
M211106EN	<i>Vaisala Loop Power Converter Quick Reference Guide</i>

## 1.3 Documentation conventions



**WARNING! Warning** alerts you to a serious hazard. If you do not read and follow instructions carefully at this point, there is a risk of injury or even death.



**CAUTION! Caution** warns you of a potential hazard. If you do not read and follow instructions carefully at this point, the product could be damaged or important data could be lost.



**Note** highlights important information on using the product.



**Tip** gives information for using the product more efficiently.



Lists tools needed to perform the task.



Indicates that you need to take some notes during the task.

## 1.4 Trademarks

Vaisala INTERCAP® and Vaisala HUMICAP® are registered trademarks of Vaisala Oyj.

Modbus® is a registered trademark of Schneider Automation Inc.

Windows® is either a registered trademark or trademark of Microsoft Corporation in the United States and other countries.

All other product or company names that may be mentioned in this publication are trade names, trademarks, or registered trademarks of their respective owners.

## 2. Product overview

### 2.1 Introduction to HMP60 and HMP110 series

Vaisala Humidity and Temperature Probes HMP60 and HMP110 Series are simple and cost-effective humidity transmitters suitable for various volume applications:

- Integration into other manufacturers' equipment
- Incubators
- Glove boxes
- Greenhouses
- Fermentation chambers
- Data loggers
- Handheld meters

HMP60 series probes use the interchangeable Vaisala INTERCAP® sensor. No recalibration is required after sensor replacement.

HMP110 series probes use the Vaisala HUMICAP® 180R sensor for increased accuracy. For applications where  $H_2O_2$  (for example, vaporized hydrogen peroxide (VHP)) is present, HMP110 series probes can also be ordered with the HUMICAP® 180V catalytic sensor. HMP110 series probes require calibration after sensor replacement. This can be done with Vaisala Insight PC software or on the serial line using the optional Vaisala USB cable.

Table 3 Parameters measured by HMP60 and HMP110 series

Parameter	Abbreviation	Metric unit	Non-metric unit
<b>Measured parameters</b>			
Relative humidity	RH	%RH	%RH
Temperature	T	°C	°F
<b>Calculated parameters</b>			
Dew point/frost point temperature <sup>1)</sup>	$T_{d/f}$	°C	°F
Wet bulb temperature	$T_w$	°C	°F
Absolute humidity	a	g/m <sup>3</sup>	gr/ft <sup>3</sup>
Mixing ratio	x	g/kg	gr/lb
Enthalpy	h	kJ/kg	Btu/lb

1) When the dew point is below 0 °C, the probe outputs frost point for  $T_d$ .

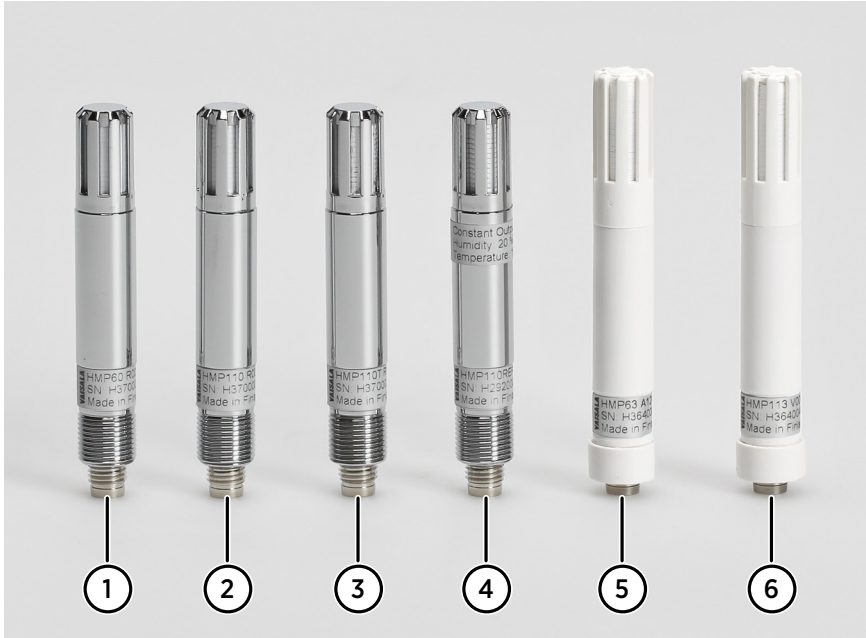


Figure 1 HMP60 and HMP110 series probes

- |   |           |   |
|---|-----------|---|
| 1 | HMP60     | IP65 rated stainless steel probe with INTERCAP® sensor. Rugged probe for demanding applications. Two analog output channels.  |
| 2 | HMP110    | IP65 rated stainless steel probe with HUMICAP® 180R sensor. Rugged probe with higher accuracy for demanding applications. Analog and digital output options (selected in order configuration). Note that when HMP110 is ordered as a digital probe, analog output channels are not available.   |
| 3 | HMP110T   | IP65 rated stainless steel probe with temperature sensor only. Has the same temperature measurement performance as HMP110. One analog output channel.   |
| 4 | HMP110REF | IP65 rated stainless steel probe. Does not measure; instead, outputs constant humidity and temperature readings on serial line. Useful for validating installations of HMT120 and HMT130 transmitters, for example. Digital output only.  |
| 5 | HMP63     | IP54 rated probe with PC/ABS plastic housing and INTERCAP® sensor. Lightweight probe with faster thermal response time. Not for permanent outdoor use. Two analog output channels.  |
| 6 | HMP113    | IP54 rated probe with PC/ABS plastic housing and HUMICAP® 180R sensor. Lightweight probe with higher accuracy and faster thermal response time. Not for permanent outdoor use. Two analog output channels. Used with the Vaisala HM40 handheld meter (requires special software configuration). |

## 2.2 Basic features and options

- Analog and digital output options:
  - HMP60, HMP63, HMP110, and HMP113 analog output mode: 2 analog output channels, selectable from 0 ... 1 V / 0 ... 2.5 V / 0 ... 5 V / 1 ... 5 V
  - HMP110 digital output option (Modbus, RS-485, or VDIGI, selected when ordering): for permanent digital output installations, no analog output
  - HMP110T analog output mode: single analog output channel (CH1), selectable from 0 ... 1 V / 0 ... 2.5 V / 0 ... 5 V / 1 ... 5 V
  - RS-485 interface available for all models (Modbus RTU and temporary service access with Vaisala Industrial Protocol serial line communication)
- Small size
- Low power consumption
- IP65 stainless steel body on HMP60 and HMP110 models
- IP54 lightweight plastic body on HMP63 and HMP113 models
- Options and accessories:
  - Several filter options
  - Probe mounting clamp
  - Probe mounting flange
  - Duct installation kit for HMP60, HMP110, and HMP110T
  - 1-channel loop power converter 4 ... 20 mA (separate module, compatible with humidity accuracy only)
  - Shielded 0.3-m and 3.0-m (1-ft and 9.8-ft) connection cables with threaded connector for probe connection, open end wires on the other end
  - Plastic M12 installation nuts for HMP60, HMP110, and HMP110T
  - Plastic locking bushing for HMP63 and HMP113 (for use with Vaisala products, for example the HM40 handheld meter)

### 2.2.1 Output options

All HMP60 series probes and HMP110 series probes, with the exception of the HMP110REF reference probe, can be ordered with analog output channels. Probes that use analog output can also use the RS-485 interface for temporary service access (Vaisala Industrial Protocol serial line commands) and Modbus RTU communication.

For installations where permanent digital output is required, the HMP110 model can be ordered as a digital-only probe (select either Modbus, RS-485 or Interface for Vaisala devices (VDIGI) as the output when ordering).



When you order HMP110 as a digital probe, analog output channels are not available.

Table 4 HMP60 and HMP110 series output options

	HMP60	HMP63	HMP110 Analog	HMP110 Digital	HMP110T	HMP113	HMP110REF
Analog output channels	2	2	2	None	1	2	None
Voltage output (0 ... 1/2.5/5 VDC, 1 ... 5 VDC)	Yes	Yes	Yes	No	Yes	Yes	No
Current output	Yes <sup>1)</sup>	Yes <sup>1)</sup>	Yes <sup>1)</sup>	No	Yes <sup>1)</sup>	Yes <sup>1)</sup>	No
RS-485 digital output	No <sup>2)</sup>	No <sup>2)</sup>	No <sup>2)</sup>	Yes	No <sup>2)</sup>	No <sup>2)</sup>	Yes
Modbus RTU	Yes	Yes	Yes	Yes	Yes	Yes	Yes

- 1) 4 ... 20 mA with separate loop power converter, compatible with humidity accuracy only.  
 2) Temporary service access with serial line only.

## 2.2.2 Filter options



Figure 2 Filters for HMP60, HMP110, and HMP110T

- 1 Plastic grid filter (fastest response time)
- 2 Membrane filter, pore size 0.2  $\mu\text{m}$
- 3 Stainless steel sintered filter, pore size 38  $\mu\text{m}$
- 4 PTFE membrane filter with stainless steel grid, pore size 0.2  $\mu\text{m}$
- 5 PTFE sintered filter, pore size 20  $\mu\text{m}$

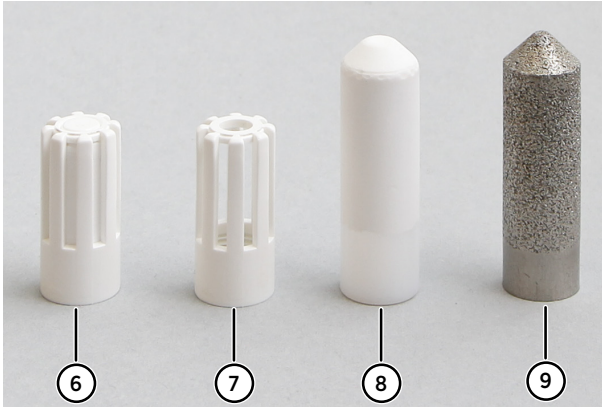


Figure 3 Filters for HMP63 and HMP113

- 6 Plastic membrane filter, pore size 0.2  $\mu\text{m}$
- 7 Plastic grid filter for (portable use only, fastest response time)
- 8 Porous PTFE filter, pore size 8  $\mu\text{m}$
- 9 Stainless steel sintered filter, pore size 38  $\mu\text{m}$

All filters are 12 mm in diameter.

## 2.3 Installation accessories (optional)

For item codes, see [Spare parts and accessories \(page 83\)](#).

### 2.3.1 Probe mounting clamp

The optional mounting clamp makes it easy to install the probe on the wall of the measurement environment. The probe can be detached for calibration simply by loosening the lower screw.

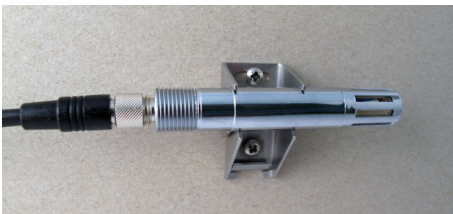


Figure 4 Probe mounting clamp in use

The probe mounting clamp is delivered in 2 parts that must be connected when it is used:



- ▶ 1. Align the slots on the clamp parts.



- ▶ 2. Slide the lower clamp part over to the bottom end of the upper part.



3. Place the clamp to the intended location and secure the upper clamp part with a screw.



4. Place the probe in the clamp.
5. Tighten the lower clamp part with a screw.

### 2.3.2 Probe mounting flange

The probe mounting flange is a silicone flange that you can use to hold the probe in a through-wall installation. The flange is a general purpose mounting accessory for  $\varnothing$  12 mm probes, and comes with a sealing plug for coaxial cables that is not needed when you use the flange with HMP60 and HMP110 series probes. For more information, see *Mounting Flange for Humidity Probes Quick Reference Guide* (M211080EN).

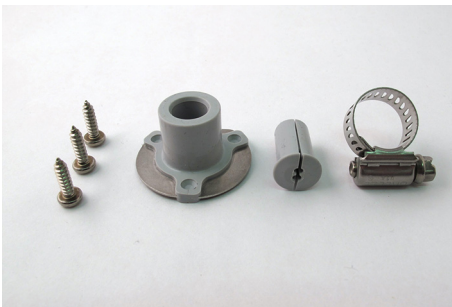


Figure 5 Probe mounting flange

### 2.3.3 Plastic locking bushing for HMP63 and HMP113

You can connect HMP63 and HMP113 to compatible Vaisala instruments using a plastic locking bushing that is placed over the probe. The bushing has a M15×1 thread. It is compatible with HMT120 and HMT130 transmitters, and HM40 handheld meter.



Figure 6 HMP113 with plastic locking bushing

### 2.3.4 Duct installation kit for HMP60, HMP110, and HMP110T

The duct installation kit includes a plastic pipe with a flange (Vaisala item code 215619). To install the probe with the duct installation kit, drill a hole to the duct wall, assemble the probe to the duct installation kit, slide the probe head through the hole, and attach the flange to the duct wall with 4 screws.

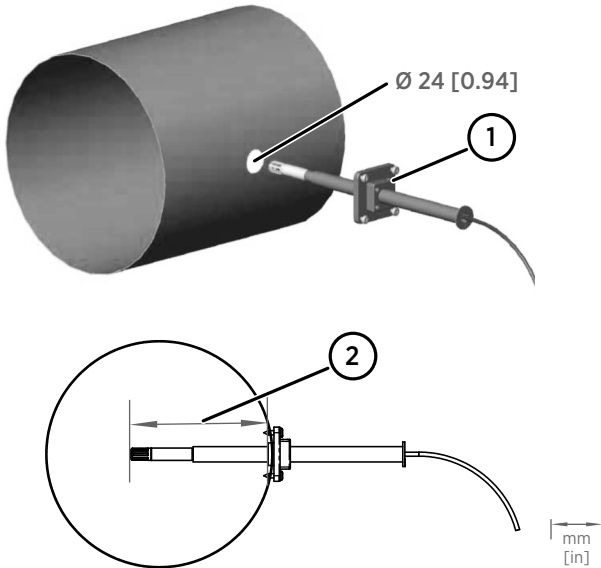


Figure 7 Probe installation with the duct installation kit

- 1 Tension screw
- 2 Installation depth. Adjust the depth and lock in place with the tension screw.

#### More information

- [Mounting HMP60, HMP110, and HMP110T probes \(page 22\)](#)

### 2.3.5 Loop power converter

The loop power converter is an open frame module that converts one 0 ... 2.5 VDC voltage output to a 4 ... 20 mA current output. To use the loop power converter module, the probe must be in the analog output mode. The desired parameter is on channel 1, which must be scaled to 0 ... 2.5 V.

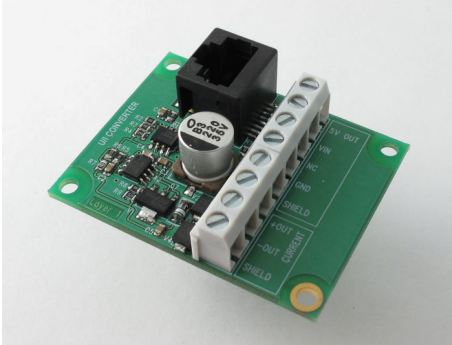


Figure 8 Loop power converter

#### More information

- [Wiring with the loop power converter \(page 26\)](#)

### 2.3.6 Cables

Connection cables have a straight, threaded female M8 connector on one end and open wires on the other end. You can use other compatible M8 series cables.



Figure 9 Cable with threaded connector

The Vaisala USB cable (item code 219690) has a straight, threaded female M8 connector on one end, and a USB Type A male plug on the other. The USB cable is intended for maintenance purposes only, not for permanent installation.



Figure 10 USB cable for PC connection

#### More information

- [Spare parts and accessories \(page 83\)](#)

## 2.4 Safety

This product has been tested for safety. Note the following precautions:



**CAUTION!** Do not modify the unit. Improper modification can damage the product or lead to malfunction.



Before you connect an HMP60 or HMP110 series probe to a device, it is recommended to power off the device.

### 2.4.1 ESD protection

Electrostatic Discharge (ESD) can damage electronic circuits. Vaisala products are adequately protected against ESD for their intended use. However, it is possible to damage the product by delivering electrostatic discharges when touching, removing, or inserting any objects in the equipment housing.

To avoid delivering high static voltages to the product:

- Handle ESD-sensitive components on a properly grounded and protected ESD workbench or by grounding yourself to the equipment chassis with a wrist strap and a resistive connection cord.
- If you are unable to take either precaution, touch a conductive part of the equipment chassis with your other hand before touching ESD-sensitive components.
- Hold component boards by the edges and avoid touching component contacts.

## 2.5 Regulatory compliance

HMP60 and HMP110 series probes are in conformity with the provisions of the following EU directive(s):

- ROHS Directive
- EMC Directive

The electromagnetic compatibility of HMP60, HMP110, HMP110T, and HMP110REF has been tested according to the following product family standards:

- EN 61326-1: Electrical equipment for measurement, control and laboratory use - EMC requirements – for use in industrial locations.
- EN 55022 Class B: Information technology equipment - Radio disturbance characteristics - Limits and methods of measurement.

The electromagnetic compatibility of HMP63 and HMP113 has been tested according to the following product family standards:

- EN 61326-1: Electrical equipment for measurement, control and laboratory use - EMC requirements – Basic immunity test requirements.
- EN 55022 Class B: Information technology equipment - Radio disturbance characteristics - Limits and methods of measurement.

## 3. Installation

### 3.1 Mounting HMP60, HMP110, and HMP110T probes

HMP60, HMP110, and HMP110T are designed to be mounted from the M12 thread on the probe body or from the smooth part of the probe body. For a convenient installation, use the optional installation accessories:

- Use the plastic mounting nuts to hold the probe in a through-wall installation
- Use the probe mounting clamp to hold the probe on a wall
- Use the probe mounting flange to hold the probe in a through-wall installation



Avoid placing the probe in a place where condensation can run onto the sensor.

#### 3.1.1 Probe assembly with duct installation kit

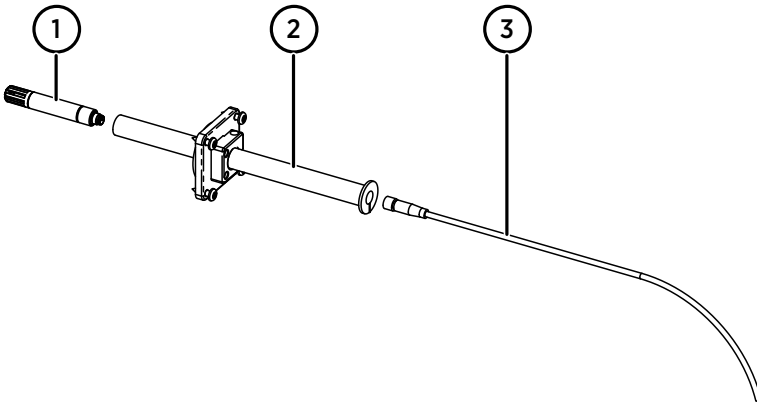


Figure 11 Assembly of the probe with duct installation kit

- 1 HMP60, HMP110, or HMP110T probe
- 2 Duct installation kit
- 3 Probe cable

- ▶ 1. Slide the probe cable through the duct installation kit plastic pipe.
2. Attach the cable to the probe.
3. Attach probe assembly to the duct.



### 3.1.2 Drilling instructions for duct installation kit

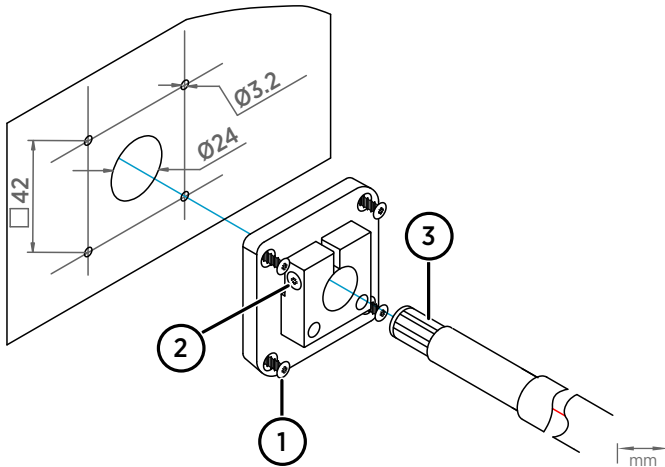


Figure 12 Drilling instructions

- 1 Mounting screw
- 2 Tension screw
- 3 Probe assembled in duct installation kit plastic pipe

- ▶ 1. Use a 24-mm drill bit to drill a hole to the duct wall for the humidity probe.
- 2. Drill holes for the duct installation kit mounting screws around the hole in a square arrangement, 42 mm apart from each other. Use a 3.2-mm drill bit to drill the holes for the mounting screws (four ST4.2×16-C-Z DIN 7981 screws).

## 3.2 Mounting HMP63 and HMP113 probes

HMP63 and HMP113 probes do not have a thread on the probe body. For a convenient installation, use the optional installation accessories:

- Use the probe mounting clamp to hold the probe on a wall
- Use the probe mounting flange to hold the probe in a through-wall installation
- If you are using the probe with HMT120 or HMT130 transmitter, or HM40 handheld meter, use the plastic locking bushing



Avoid placing the probe in a place where condensation can run onto the sensor.

**More information**

- [Installation accessories \(optional\) \(page 14\)](#)

### 3.3 Wiring



Before you connect an HMP60 or HMP110 series probe to a device, it is recommended to power off the device.

For a secure connection to the probe, connect to the 4-pin M8 connector using a threaded connector.

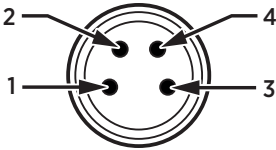


Figure 13 M8 4-pin male connector

**Pin-out of HMP60 / HMP63 / HMP110 analog / HMP113 / HMP110T**

- 1 5 ... 28 VDC ( $V_{out}$  0 ... 1 / 0 ... 2.5 V)  
8 ... 28 VDC ( $V_{out}$  0 ... 5 / 1 ... 5 V)
- 2 Channel 1: RH / Td / T  
0 ... 1 / 2.5 / 5 V, 1 ... 5 V
- 3 GND / AGND
- 4 Channel 2: RH / Td / T  
0 ... 1 / 2.5 / 5 V, 1 ... 5 V  
(HMP110T has no output on channel 2)

**Pin-out of HMP110REF / HMP110 digital**

- 1 5 ... 28 VDC
- 2 RS-485: - / B
- 3 GND
- 4 RS-485: + / A

The grounding method depends on the probe and the installation type.

Table 5 Grounding methods

Probe	Grounding method
HMP63	Vaisala recommends to use a shielded cable and connect the shield to ground.
HMP113	In the shielded cables supplied by Vaisala, the threaded connector connects the shield to the probe housing.

Probe	Grounding method
HMP60 HMP110 HMP110T HMP110REF	<p>There are two ways to ground the probe depending on installation type. Choose only one of these methods:</p> <ul style="list-style-type: none"> <li>• Grounding is provided by the metal cover of the probe. If using shielded cables, shield is NOT connected to ground.</li> <li>• A shielded cable is used, and the shield is connected to ground. In the shielded cables supplied by Vaisala, the threaded connector connects the shield to the probe housing.</li> </ul>



When the probe is connected to a power supply, there is a delay as the probe starts up and the analog output stabilizes. The delay depends on the output type, and on the operating voltage that is supplied to the probe:

- Probes with analog output:
  - 4 s at operating voltage 13.5 ... 16.5 VDC
  - 2 s at other valid operating voltages
- Probes with digital output: 2 s

### 3.3.1 Wiring multiple digital devices

The maximum number of HMP60/HMP110 probes that you can connect to a system over the RS-485 interface is 32 when the communication speed is 19200 bps or lower. Do not use RS-485 termination with HMP60/HMP110 series probes.



Connecting other devices can decrease the maximum number of HMP60/HMP110 probes. If other devices require the use of termination, connect HMP60/HMP110 probes using an RS-485 repeater.

The following figures show the recommended wiring when connecting multiple devices to the RS-485 interface using either a separate local power supply for each device or a common power supply.

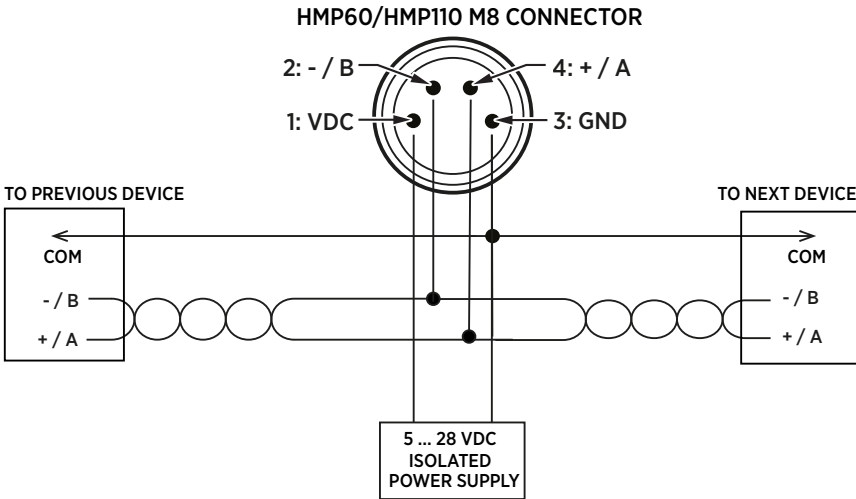


Figure 14 Wiring multiple devices using local power supply

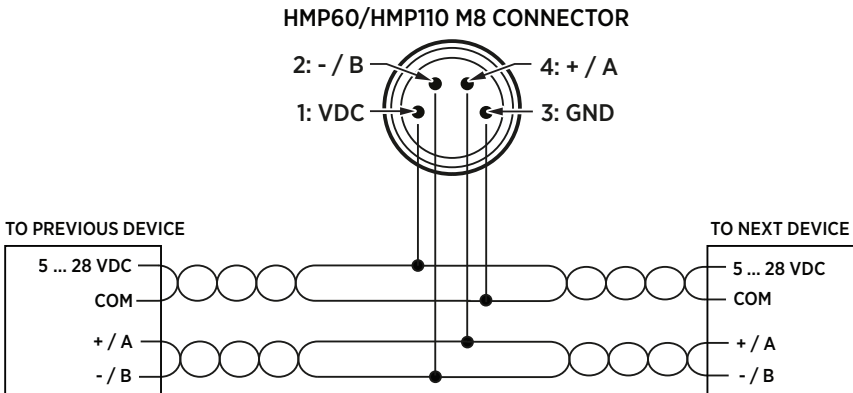


Figure 15 Wiring multiple devices using common power supply

### 3.3.2 Wiring with the loop power converter

To use the loop power converter module with an HMP60 or HMP110 series probe, the probe must be in the analog output mode. The desired parameter is on channel 1, which must be scaled to 0 ... 2.5 V.

You cannot use the loop power converter with the digital-only HMP110.

When using the loop power converter module, power the module with 8 ... 28 VDC. The operating voltage for the probe (5 VDC) is delivered by the module.

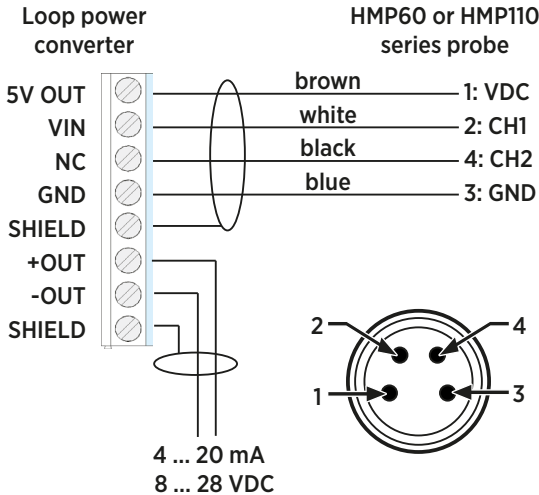


Figure 16 Wiring with the loop power converter module

For more information, see the *Loop Power Converter Quick Reference Guide* (M211106EN).

#### More information

- [Output options \(page 12\)](#)

### 3.3.3 Power supply requirements

The operating voltage for the HMP60 and HMP110 series probes must be in the following range:

Table 6 Operating voltage ranges

HMP60 / HMP63 / HMP110 analog / HMP113 / HMP110T	HMP110REF / HMP110 digital
5 ... 28 VDC ( $V_{out}$ 0 ...1 / 0 ... 2.5 V)	5 ... 28 VDC
8 ... 28 VDC ( $V_{out}$ 0 ... 5 / 1 ... 5 V)	

Current consumption is 1 mA on average, which makes the probes well suited for running on battery power. The maximum peak consumption is 5 mA.

## Recommendations

- Continuous use over high operating voltage may cause heating. To conserve power and minimize the warming of the probe, use the lowest operating voltage in the allowed range.
- Using low impedance loads on the signal outputs increase the current consumption by up to 0.5 mA. High impedance loads are recommended to minimize warming of the probe.
- Frequent interrogation of the probe using the RS-485 interface will also increase current consumption from the average value. More frequent interrogation than once per second is not recommended.

## 4. Modbus communication

The Modbus variant used in HMP60 and HMP110 series probes is Modbus RTU. Modbus support was added to HMP60 and HMP110 probes in 2016 for probe software version 2.1.4. The following table lists the default communication settings used when Modbus is enabled at the factory (chosen when ordering).

Table 7 Default Modbus communication settings

Description	Default value
Serial bit rate	19200
Parity	None
Number of data bits	8
Number of stop bits	2
Flow control	None
Modbus device address	240
Serial delay	0
Communication mode	Modbus RTU

Use Vaisala Insight software to change the Modbus serial communication settings if needed. Download Vaisala Insight software at [www.vaisala.com/insight](http://www.vaisala.com/insight).



The instrument must be switched off and on before the communication setting changes take effect.

### More information

- [Accessing serial line command interface from analog or Modbus mode \(page 36\)](#)
- [Modbus reference \(page 85\)](#)

### 4.1 Using multiple devices over RS-485

When you use HMP60/HMP110 series probes for Modbus communication over the RS-485 interface, the maximum number of HMP60/HMP110 probes that can be connected to a system is 32 (with a communication speed of 19200 bps or lower).



RS-485 termination must not be used with HMP60/HMP110 series probes.



Connecting other devices can decrease the maximum number of HMP60/HMP110 probes that can be connected. If other devices require the use of termination, HMP60/HMP110 series probes must be connected using an RS-485 repeater.

**More information**

- [Wiring multiple digital devices \(page 25\)](#)



## 5. Vaisala Insight software

Vaisala Insight PC software is a configuration software for Indigo compatible probes. The supported operating systems are Windows 7 (64-bit), Windows 8.1 (64-bit), and Windows 10 (64-bit).

With the Insight software, you can:

- See device information and status.
- See real-time measurement data.
- Configure serial communication settings, filtering factor, and analog output parameters and scaling.
- Calibrate and adjust the device.

Download Vaisala Insight software at [www.vaisala.com/insight](http://www.vaisala.com/insight).

The probe can be connected to Vaisala Insight software using a Vaisala USB cable (item code 219690).



HMP60 and HMP110 probes support Insight from probe software version 2.1.4 onwards.

### 5.1 Connecting to Insight software



- Computer with Microsoft Windows® operating system and Vaisala Insight software installed
- USB connection cable (item code 219690)



**CAUTION!** When connecting several devices at the same time, note that your computer may not be able to supply enough power through its USB ports. Use an externally powered USB hub that can supply >2 W for each port.

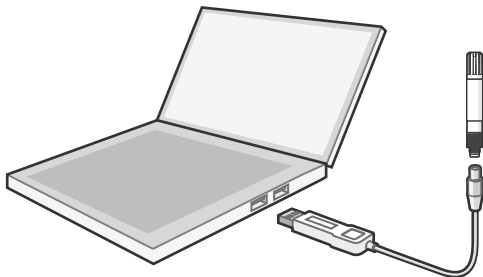


Figure 17 Connecting probe to Insight

- ▶ 1. Open the Insight software.
- 2. Connect the USB cable to a free USB port on the PC.
- 3. Connect the probe to the USB cable.
- 4. Wait for Insight software to detect the probe.

# 6. Serial line communication



In analog probes, serial line communication is intended for service use only.

HMP60 and HMP110 series probes support 2-wire RS-485 communication. The RS-485 interface is non-isolated and offers a maximum communications rate of 57600 bps.

There is no internal termination for the RS-485 on the probe. Use of termination resistors is not recommended. If the resistors are used, the possible increase in current consumption should be taken into account.

## 6.1 Connecting to serial interface

Connection to the serial interface is through the 4-pin connector on the probe.

For temporary use of the serial interface (for example, calibration), you can use the optional Vaisala USB cable (item code 219690). Before you can use the cable, you must install the provided USB driver on your PC.



The Vaisala USB cable is not designed for permanent installations. When using the USB cable, no separate power unit is needed. The probe is powered through the USB port.

For permanent interfacing to a host system, use a shielded cable with a threaded connector.

The probe does not echo typed characters back to the terminal screen. To see the commands you type, you need to enable the "local echo" setting in your terminal program.

A new command cannot be received while the probe is sending data out. Wait until the instrument has completed its response before entering the next command.

Table 9 Default serial communication settings

Property	Description/Value
Baud rate	19200
Parity	None
Data bits	8
Stop bits	1
Flow control	None

You can change the serial settings and operate in RUN, STOP, POLL, and MODBUS modes.

After power-up the probe (in STOP mode) outputs the software version and the command prompt.

- In RUN mode, a measurement output starts immediately after power-up.
- In POLL mode, the probe does not output anything after power-up. It must be accessed with an addressed command.
- In MODBUS mode, the probe does not output anything after power-up: serial line commands are not in use and the probe must be used with the Modbus protocol.

#### More information

- [Wiring \(page 24\)](#)
- [Installing the driver for the USB cable \(page 34\)](#)
- [Accessing serial line command interface from analog or Modbus mode \(page 36\)](#)
- [Set serial interface mode \(page 42\)](#)

## 6.2 Installing the driver for the USB cable

Before taking USB cable 219690 into use, you must install the provided USB driver on your PC. When installing the driver, you must acknowledge any security prompts that may appear.

- ▶ 1. Check that the USB cable is not connected. Disconnect the cable if you have already connected it.
2. Insert the media that came with the cable, or download the latest driver from [www.vaisala.com/software](http://www.vaisala.com/software).
3. Execute the USB driver installation program (setup.exe), and accept the installation defaults. The installation of the driver may take several minutes.
4. After the driver has been installed, connect the USB cable to a USB port on your PC. Windows detects the new device, and uses the driver automatically.
5. The installation has reserved a COM port for the cable. Select **Start > Vaisala > Vaisala USB Instrument Finder**, and verify the port number, and the status of the cable. The reserved ports are also visible in the **Ports** of the Windows Device Manager.

Remember to use the correct port in the settings of your terminal program. Windows recognizes each individual cable as a different device, and reserves a new COM port.

There is no reason to uninstall the driver for normal use. However, if you wish to remove the driver files and all Vaisala USB cable devices, you can do so by uninstalling the entry for **Vaisala USB Instrument Driver** from the **Programs and Features** menu in the Windows Control Panel. In Windows XP and earlier Windows versions the menu is called **Add or Remove Programs**.

## 6.3 Terminal application settings for digital probes

The following steps describe how to connect to digital probes using the PuTTY terminal application for Windows (available for download at <http://www.vaisala.com/software>) and the USB serial interface.

If you have an analog probe, you can still connect to the serial line by following the instructions in [Accessing serial line command interface from analog or Modbus mode \(page 36\)](#).

- ▶ 1. Connect Vaisala USB cable 219690 between your PC and the probe.
2. Start the PuTTY application.
3. Select the **Serial** settings category, and check that the correct COM port is selected in the **Serial line to connect to** field.  
To check which port the USB cable is using, select **Start > Vaisala > Vaisala USB Instrument Finder**.
4. Check that the other serial settings are correct for your connection, and change if necessary.
5. To open the connection window and start using the serial line, select **Open**.  
If PuTTY is unable to open the serial port you selected, it shows an error message instead. If this happens, restart PuTTY and check the settings.
6. You may need to adjust the **Local echo** setting in the **Terminal** category to see what you are typing on the serial line. To access the configuration screen while a session is running, right-click over the session window, and select **Change Settings**.

If the probe is in Modbus mode, to access the serial port command interface, follow the instructions in [Accessing serial line command interface from analog or Modbus mode \(page 36\)](#).

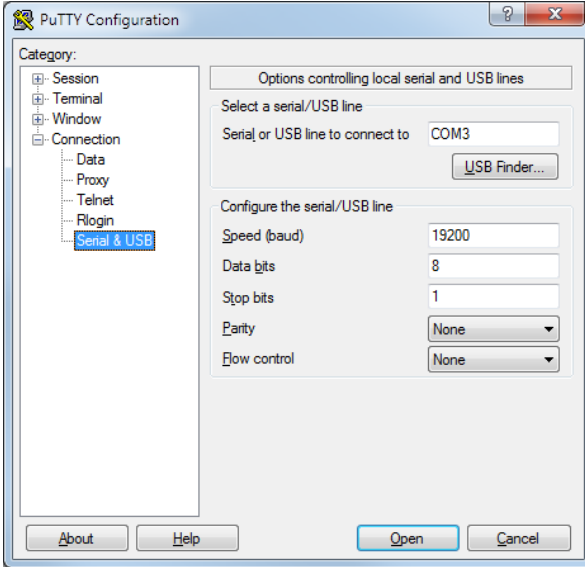



Figure 18 PuTTY terminal application

## 6.4 Accessing serial line command interface from analog or Modbus mode

Follow the steps below to connect to the serial line when the probe is in analog or Modbus mode. You can also use the procedure to retrieve the communication settings of your device, if you do not know them. You must use the Vaisala USB cable (Vaisala item code 219690) in this case.

- ▶ 1. Connect the USB cable to the PC and install the driver, if necessary. Do not connect the cable to the probe yet.
- 2. Open the terminal program and open a connection to the corresponding COM port using the default settings 19200, 8, N, 1, no flow control.
- 3. Select the **Serial** settings category, and check that the **Serial line to connect to** field contains the correct COM port.  
To check which port the USB cable is using, select **Start > Vaisala > Vaisala USB Instrument Finder**.
- 4. To open the connection window and start using the serial line, select **Open**.
- 5. Keep the **ENTER** key pressed down and connect the other end of the USB cable to the probe. This causes the probe to start in RS-485 mode, using the default serial settings. You can now use the probe with the terminal program.

- 6. To prevent the analog or Modbus mode from being restored on the next power-up, select a different serial mode with the **smode** command.
- 7. To switch back to analog mode or Modbus mode from a serial mode, use the **smode analog** or **smode modbus** command to select analog or Modbus mode. Reset or power cycle the probe to restart in the selected mode.

 The probe cannot be used with the MI70 handheld indicator or the HM40 meter when the probe is in analog mode. To use the probe with MI70 or HM40, enable a serial mode (for example, STOP) as instructed above.

**More information**

- [List of serial commands \(page 37\)](#)
- [Set serial interface mode \(page 42\)](#)

## 6.5 List of serial commands

You can issue all commands either in uppercase or lowercase. In the command examples, the keyboard input by the user is in **bold** type.

The notation <cr> refers to pressing the carriage return (**ENTER** key on your computer keyboard). Press **ESC** to clear the command buffer before starting to enter commands.

Table 10 List of serial commands (software version 2.4.0)

Command	Description
<b>?</b>	Output information about the device
<b>AERR</b>	Set analog output error level
<b>AMODE</b>	View or set the analog output mode
<b>AOVER [ON/OFF]</b>	Allow analog outputs to exceed their range 10 %
<b>ASEL</b>	Set analog output parameters and scaling
<b>CDATE</b>	View or set the calibration date
<b>CODE</b>	View the order code of the probe
<b>CRH</b>	Calibrate and adjust RH measurement
<b>CRHCLR</b>	Clear adjustment of RH measurement
<b>CT</b>	Calibrate and adjust T measurement
<b>CTCLR</b>	Clear adjustment of T measurement
<b>CTEXT</b>	View or set the calibration information field
<b>ERRS</b>	List present probe errors

Command	Description
<b>FILT</b> [0.001 ... 1]	Set the result filtering
<b>FRESTORE</b>	Restore factory settings
<b>HELP</b>	List available commands
<b>INTV</b> [0 ... 255 S/MIN/H]	Set the continuous output interval (for RUN mode)
<b>L</b>	Displays user adjustment parameters
<b>R</b>	Start the continuous outputting
<b>RESET</b>	Reset the probe
<b>RHLIMIT</b>	Extend maximum RH reading
<b>S</b>	Stop the continuous outputting
<b>SDELAY</b> [0 ... 255]	View or set serial line answer minimum delay
<b>SEND</b> [0 ... 255]	Output the reading once
<b>SNUM</b>	View the serial number of the probe
<b>UNIT</b>	Select metric or non-metric output units
<b>VERS</b>	View software version of the probe

Table 11 Additional commands for probes with RS-485 output

Command	Description
<b>??</b>	Output information about the device in POLL mode
<b>ADDR</b> [0 ... 255]	Set the probe address (for POLL mode)
<b>CLOSE</b>	Close the temporary connection (Back to POLL mode)
<b>OPEN</b> [0 ... 255]	Open a temporary connection to a POLL mode device
<b>SERI</b> [baud p d s]	User Port settings (Default: 19200 N 8 1) baud: 300 ... 57600
<b>SMODE</b> [STOP/RUN/POLL/MODBUS/VDIGI/ANALOG]	Set the serial interface mode

## 6.6 Device information and status

### 6.6.1 View device information

The **?** command outputs a listing of device information.

```
?<cr>
```



Example (output from HMP63):

```
?
HMP63 / 1.0.4
Serial number : H3640004
Batch number  : T0001109
Sensor number  : H0000322
Sensor model   : Intercap
Order code     : A12A0A2B0
Cal. date      : 20120907
Cal. info      : VAISALA/HEL
Time           : 00:21:05
Serial mode    : ANALOG
Baud P D S    : 19200 N 8 1
Output interval: 1 S
Serial delay   : 30
Analog delay  : 10 S
Address        : 0
Filter         : 1.000
Ch1 output    : 0 ... 1 V
Ch2 output    : 0 ... 1 V
Ch1 RH lo     : 0.00 %RH
Ch1 RH hi     : 100.00 %RH
Ch2 T lo      : -40.00 'C
Ch2 T hi      : 60.00 'C
```

If the probe is in POLL mode, but a connection has not been opened using the **OPEN** command, issue the **??** command.

```
??<cr>
```

#### More information

- [Set serial line settings \(page 42\)](#)

## 6.6.2 View calibration information

Use the **CDATE** command to view the calibration date and **CTEXT** to view the calibration info text. Date format for **CDATE** is YYYYMMDD.

```
CDATE<cr>
```

```
CTEXT<cr>
```

Examples:

```
cdate
Cal. date      : 20150109
```

```
ctext
Cal. info      : VAISALA/HEL
```

### 6.6.3 Enter calibration information

To enter the calibration date, use the **CDATE** command (**cdate** [YYYYMMDD]). To enter a text string with information about the calibration, use the **CTEXT** command (**ctext** [string]).

**CDATE** [yyyymmdd] <cr>

**CTEXT** [text string] <cr>

Example:

```
cdate 20151125
Cal. date      : 20151125
ctext Calibrated in Room 1
Cal. info      : Calibrated in Room 1
```

### 6.6.4 View order code

Use the **CODE** command to view the order code that has been stored in the probe. This command is useful if you need to order a new probe with the same options.

**CODE**<cr>

Example:

```
code
Order code      : A12A0A2B0
```

### 6.6.5 View serial number

Use the **SNUM** command to view the serial number of the probe.

**SNUM**<cr>

Example:

```
snum
Serial number   : H3640004
```

### 6.6.6 View software version

Use the **VERS** command to display the software version of the probe.

**VERS**<cr>

Example:

```
vers
HMP63 / 1.0.4
```

## 6.7 Serial line output commands

### 6.7.1 Start measurement output

Use the **R** command to start the continuous outputting of measurement values as an ASCII text string to the serial line.

For HMP60 and HMP110, the output always includes readings for temperature, RH and Td. For HMP110T, the output includes only temperature.

**R**<cr>

Example (HMP60 and HMP110):

```
r
T= 22.6 'C RH= 22.8 %RH Td= 0.3 'C
T= 22.6 'C RH= 22.5 %RH Td= 0.2 'C
T= 22.6 'C RH= 22.5 %RH Td= 0.2 'C
...
```

Example (HMP110T):

```
r
T= 22.6 'C
T= 22.6 'C
T= 22.6 'C
...
```

Outputting the results continues in intervals issued with the command **INTV**. You can stop the output by entering the **S** command.

### 6.7.2 Stop measurement output

Use the **S** command or press the **ESC** key to stop the continuous measurement output.

**S**<cr>

### 6.7.3 Output the measurement message once

Use the **SEND** command to output the measurement values once. If the probe is in POLL mode and the line is not open for commands, specify the address of the probe to receive the measurement message.

**SEND** [aaa]<cr>

Syntax	Description
aaa	Address of the probe, range 0 ... 255. Set with the <b>ADDR</b> command.

Example (probe in STOP mode, no address needed):

```
send
T= 22.7 'C RH= 20.0 %RH Td= -1.5 'C
```

Example (probe in POLL mode, with address 10):

```
send 10
T= 22.8 'C RH= 20.1 %RH Td= -1.3 'C
```

## 6.8 Configuring serial line operation

### 6.8.1 Set serial line settings

Use the **SERI** command to show or set the serial line settings. The new settings will be taken into use when the probe is reset or powered up.

**SERI** [b p d s]

Syntax	Description
b	baud rate (300, 600, 1200, 2400, 4800, 9600, 19200, 38400, 57600)
p	parity (n = none, e = even, o = odd)
d	data bits (7 or 8)
s	stop bits (1 or 2)

Example (shows default settings):

```
seri
Baud P D S : 19200 N 8 1
```

### 6.8.2 Set serial interface mode

Use the **SMODE** command to set the operation mode of the serial interface. The new mode is applied when probe is reset.

**SMODE** [xxx]<cr>

Syntax	Description
xxx	Operation mode of the serial interface.

Table 12 Serial interface modes


Mode	Description
STOP	Probe outputs only when a command is issued. Any command can be used.
RUN	Probe automatically outputs measurement messages on the serial line. Only command <b>S</b> or the <b>ESC</b> key can be used to stop the output.
POLL	Probe outputs only when a command is issued. Probes communicate one at a time when the specific address is called on the serial line, which is useful when more than one probe is connected to one serial bus. Any command can be used after the line has been opened using the <b>OPEN</b> command.  See descriptions of the commands <b>ADDR</b> and <b>OPEN</b> .
MODBUS	Measurement outputs must be read from the transmitter using the Modbus protocol. For more information, see <a href="#">Modbus communication (page 29)</a> and <a href="#">Modbus reference (page 85)</a> .
VDIGI	Special serial interface mode that is only used for interoperability with Vaisala devices such as HMT120, HMT130, and HM40. This mode is set at Vaisala for probes that are ordered for such use.
ANALOG	No serial line, analog outputs active. For instructions on how to enter the serial line when in analog mode, see <a href="#">Accessing serial line command interface from analog or Modbus mode (page 36)</a> . Note that analog output channels are not available in the digital-only HMP110. See <a href="#">Output options (page 12)</a> .


Example (check current mode):

```
smode
Serial mode : STOP ?
```

Example (change mode to POLL mode):

```
smode poll
Serial mode : POLL
```

 In the RUN mode, the probe may send the measurement data message right as you are typing the **S** command to stop the sending. Therefore, you may need to repeat the **S** command. This must be noted especially when designing computer programs to access the probe.

 The digital-only HMP110 probe option cannot be set to analog mode.

### 6.8.3 Set output interval

Use the **INTV** command to show or set the output interval of the serial line measurement messages (applies when **R** command or RUN mode is used). The shortest output interval is 1 second. This command has no effect on the operation of the analog output.

**INTV** [*n xxx*] <cr>

Syntax	Description
<i>n</i>	Time interval in range 1 ... 255
<i>xxx</i>	Time unit = "S", "MIN", or "H"

Example:

```
intv 1 s
Value      : 1
Unit       : S
```

### 6.8.4 Set measurement filtering

Use the **FILT** command to view or set the speed at which the latest measurement result is integrated into the humidity and temperature readings. The command affects both analog output and serial line output.

**FILT** [*a .aaa*] <cr>

Syntax	Description
<i>a .aaa</i>	Range 0.001 ... 1.0. 1.0 = No filtering, the latest measurement is output without averaging 0.5 = Average of the last 2 measurements 0.1 = Average of approximately 16 measurements

Example (default setting, no filtering):

```
filt
Filter      : 1.000 ?
```

Example (set filtering to 0.5):

```
filt 0.5
Filter      : 0.500
```

## 6.8.5 Set probe address

Use the **ADDR** command to view or set the probe address. To operate in the POLL mode, the probe must have an address. If multiple probes share the same serial line, each probe must have a different address.

**ADDR** [*nn*]  
<cr>

Syntax	Description
<b>nn</b>	Address (0 ... 255)

Example:

```
addr
Address      :      0
```

### More information

- [Set serial line settings \(page 42\)](#)

## 6.8.6 Set serial interface delay

Use the **SDELAY** command to view or set the serial interface answer minimum delay.

**SDELAY** [*deLay*]  
<cr>

Syntax	Description
<b>deLay</b>	Range 0 ... 255. Value corresponds to 4 milliseconds (for example, 5 = 0.020 second minimum answer delay)

Example:

```
sdeLay
Serial delay :      30
```

```
sdeLay 50
Serial delay :      50
```

## 6.8.7 Set measurement units

Use the **UNIT** command to view or set the measurement units that are used in the serial line measurement messages.

**UNIT** [*M/N*]  
<cr>

M is for metric units, N is for non-metric units.

Parameter	Metric unit	Non-metric unit
RH	%RH	%RH
T <sub>d</sub>	°C	°F
T	°C	°F

Examples:

```
unit
Units      : Metric
```

```
unit n
Units      : Non metric
```

## 6.9 Calibration commands

### 6.9.1 Calibrate humidity measurement

Use the **CRH** command to perform a 1-point or 2-point correction to the capacitance measurement of the probe. This command changes the offset and/or gain of the humidity measurement, depending on the calibration and reference:

- 1-point calibration with a single < 50 %RH reference will adjust the offset of the capacitance measurement
- 1-point calibration with a single > 50 %RH reference will adjust the gain of the capacitance measurement
- 2-point calibration will adjust both offset and gain. The first point requires a < 50 %RH humidity reference, the second point must be > 50 %RH. There must also be at least 30 percentage point difference between the references.

**CRH** [reference]<cr>

This command is not available on the HMP110T.

When performing a 1-point calibration, you need to place the probe in the reference humidity and wait for 20 ... 40 minutes for the humidity to stabilize. To apply the adjustment, enter the **CRH** command with the reference %RH as a parameter.

Example: 1-point calibration (LiCl reference, 11 %RH):

```
crh 11
OK
```

Example: 1-point calibration with NaCl reference (75 %RH):



```
crh 75
OK
```

Giving the command without parameters starts the 2-point calibration. Remember to allow the humidity to stabilize for 20 ... 40 minutes after changing the reference.

Example: 2-point calibration with LiCl (11 %RH) and NaCl (75 %RH) references:

```
crh
RH : 11.2684 1. ref ? 11
  Press any key when ready ...
RH : 75.0612 2. ref ? 75
OK
```

## 6.9.2 Clear adjustment of RH measurement

Use the **CRHCLR** command to clear the adjustment of RH measurement that has been done using the **CRH** command. This command is not available on the HMP110T.

**CRHCLR**<cr>

Example:

```
crhclr
OK
```

## 6.9.3 Calibrate temperature measurement

Use the **CT** command to perform a 1-point or 2-point temperature (T) calibration. 1-point calibration adjusts the offset for the measurement, 2-point calibration adjusts offset and gain.

**CT** [reference]<cr>

When performing a 1-point calibration, you need to place the probe in a single temperature reference and wait for 20 ... 40 minutes for the temperature to stabilize. To apply the adjustment, enter the **CT** command with the reference temperature as a parameter.

Example: 1-point calibration

```
ct 23.5
OK
```

Giving the command without parameters starts the 2-point calibration. Remember to allow the temperature to stabilize for 20 ... 40 minutes after changing the reference. The first reference point must be smaller than the second point, and the difference between the reference points must be more than 30 °C. To update the measured value while the command is running, press enter without inputting a value.

Example: 2-point calibration

```

ct
T : 22.03 Ref1 ? 22
Press any key when ready ...
T : 55.12 Ref2 ? 55
OK

```

## 6.9.4 Clear adjustment of T measurement

Use the **CTCLR** command to clear the adjustment of temperature measurement that has been done using the **CT** command.

**CTCLR**<cr>

Example:

```

ctclr
OK

```

## 6.9.5 View user adjustment parameters

Use the **L** command to view the current user adjustment parameters. This command is useful for checking the currently applied customer calibration.

**L**<cr>

The output values are as follows:

- Cp offset and gain: capacitance, calibrated using the **CRH** command
- T offset and gain: calibrated using the **CT** command

Example (shows default values, no user calibration done):

```

l
Cp offset : 0.00000000E+00
Cp gain   : 1.00000000E+00
T offset  : 0.00000000E+00
T gain    : 1.00000000E+00

```

## 6.10 Other commands

### 6.10.1 Set analog output mode

Use the **AMODE** command to show or set the operation mode of the analog output. This command is not in use in the digital-only HMP110 probe option.

**AMODE** [ch1] [ch2]<cr>

Syntax	Description
ch1	Analog output mode for channel 1, range 0 ... 3. The options are: 0 (0 ... 1 V) 1 (0 ... 2.5 V) 2 (0 ... 5 V) 3 (1 ... 5 V)
ch2	Analog output mode for channel 2, range 0 ... 3. The options are the same as for channel 1.

Example (show current output modes):

```

amode
Ch1 output      : 0 ... 1 V
Ch2 output      : 0 ... 1 V

```

Example (set channel 1 to 0 ... 1 V and channel 2 to 0 ... 5 V):

```

amode 0 2
Ch1 output      : 0 ... 1 V
Ch2 output      : 0 ... 5 V

```

## 6.10.2 Set analog output parameters and scaling

Use the **ASEL** command to show or set the output parameters and scaling of the analog outputs. This command is not in use in the digital-only HMP110 probe option.

**ASEL** [ch1 ch2] [ch1low ch1high ch2low ch2high]<cr>

Syntax	Description
ch1	Output parameter for channel 1. The options are: <ul style="list-style-type: none"> <li>• RH = Relative humidity</li> <li>• T = Temperature</li> <li>• Td = Dew point temperature</li> <li>• Tw = Wet bulb temperature</li> <li>• a = Absolute humidity</li> <li>• x = Mixing ratio</li> <li>• h = Enthalpy</li> </ul>
ch2	Output parameters for channel 2. The options are same as for channel 1.
ch1low	Low limit for channel 1 output scaling.
ch1high	High limit for channel 1 output scaling.

Syntax	Description
ch2low	Low limit for channel 2 output scaling.
ch2high	High limit for channel 2 output scaling.

Example (show current output parameters and scaling):

```

ase1 ?
Ch1 RH lo : 0.00 %RH ?
Ch1 RH hi : 100.00 %RH ?
Ch2 T lo  : -20.00 'C ?
Ch2 T hi  : 80.00 'C ?
    
```

Example (change channel 1 to output dew point temperature, adjust scaling to -40 ... 60 °C for channel 1 and to -20 ... 80 °C for channel 2):

```

ase1 td t -40 60 -20 80
Ch1 Td lo  : -40.00 'C
Ch1 Td hi  : 60.00 'C
Ch2 T lo   : -20.00 'C
Ch2 T hi   : 80.00 'C
    
```

Example (change channel 1 to output temperature and channel 2 to output relative humidity, adjust scaling for channel 1 to -40 ... 60 °C when prompted):

```

ase1 t rh
Ch1 T lo  : -20.00 'C ? -40
Ch1 T hi  : 80.00 'C ? 60
Ch2 RH lo : 0.00 %RH ?
Ch2 RH hi : 100.00 %RH ?
    
```

### 6.10.3 Set analog output error indication level

If the device is malfunctioning, the analog output is set to a specified level. This overrides the normal measurement output of the channel. The default error level is 0 V, or another value predefined by the customer when ordering the device. You can set the level using the **AERR** command. This command is not in use in the digital-only HMP110 probe option.

**AERR** [ch1 ch2] <cr>

Syntax	Description
ch1	Error level of the analog output for channel 1. The available range depends on the output mode (check with <b>AMODE</b> command).
ch2	Error level of the analog output for channel 2. The available range depends on the output mode (check with <b>AMODE</b> command).

Example (show present output modes):

```

amode
Ch1 output      : 0 ... 1 V
Ch2 output      : 0 ... 1 V

```

Example (check present analog output error level):

```

aerr
Ch1 error out: 0.000V ?
Ch2 error out: 0.000V ?

```

Example (set analog output error level to 1 V on both channels):

```

aerr 1 1
Ch1 error out: 1.000V ?
Ch2 error out: 1.000V ?

```



The error output value is displayed only when there are minor electrical faults such as humidity sensor damage. When there is a severe device malfunction, the error output value is not necessarily shown.

## 6.10.4 Extend analog output range

Use the **AOVER** command to allow the analog output channels to exceed their specified range by 10 %. The scaling of the parameter remains as before; the extra range is used for additional measurement range in the wet end. This command is not in use in the digital-only HMP110 probe option.

**AOVER** [ON/OFF] <cr>

The following example illustrates how the analog output is affected. Channel 1 outputs  $T_d$  with voltage output 0 ... 5 V ( $-40\text{ }^\circ\text{C}$  ...  $+60\text{ }^\circ\text{C}$ ). After giving the **AOVER ON** command, the range is 0 ... 5.5 V ( $-40\text{ }^\circ\text{C}$  ...  $+70\text{ }^\circ\text{C}$ ). Note that the  $+60\text{ }^\circ\text{C}$   $T_d$  point is still at 5 V.

Example:

```

aover on
AOVER      :      ON

```

## 6.10.5 Extend maximum RH reading

With digital output, use the **RHLIMIT** command to set the maximum RH reading from 100 % (default) up to 120 %.

With analog output, the **RHLIMIT** command allows you to extend the high limit of the analog output scaling up to 120 %. This command does not change the scaling automatically. To change the scaling, use the **ASEL** command.

**RHLIMIT** [**max\_rh**]**<cr>**

Syntax	Description
<b>max_rh</b>	Maximum reading of the RH parameter. Possible values are 100.0 ... 120.0. The default value is 100.0.

Example (extend the maximum RH reading to 120 %):

```
rhlimit 120
Max. RH %      :      120.0 %RH
```

Example (on analog output, extend the maximum RH reading to 120 % and scale the RH output on channel 2 from (0 ... 1 V) 0 ... 100 % to (0 ... 1 V) 0 ... 120 %):

```
rhlimit 120
Max. RH %      :      120.0 %RH
asel ?
Ch1 T          lo :    -20.00 'C ?
Ch1 T          hi :     80.00 'C ?
Ch2 RH         lo :     0.00 %RH ?
Ch2 RH         hi :    100.00 %RH ? 120
```

**More information**

- [Set analog output parameters and scaling \(page 49\)](#)

**6.10.6 Display command list**

Use the **HELP** command to display a list of the currently available commands.

```
HELP<cr>
```

**6.10.7 Display the currently active errors**

Use the **ERRS** command to display the currently active error codes.

```
ERRS<cr>
```

Example (no active errors):

```
errs
0000h
No errors
```

Table 13 Error messages on ERRS command

ERRS command response	Corresponding error
<b>T MEAS error</b>	Temperature measurement error. [44]
<b>F meas error</b>	Humidity measurement error. [45]
<b>RH sensor failure</b>	Humidity sensor failure. [46]
<b>Frequency measurement outside the permissible value range</b>	Capacitance reference error. [47]
<b>Ambient temperature error</b>	Ambient temperature out of range. [48]
<b>Program flash check sum error</b>	Firmware checksum mismatch. [49]
<b>Parameter flash check sum error</b>	Device settings corrupted. [50]
<b>INFOA check sum error</b>	Additional configuration settings corrupted. [51]
<b>SCOEFS check sum error</b>	Sensor coefficients corrupted. [52]
<b>CURRENT check sum error</b>	Main configuration settings corrupted. [53]
<b>Voltage error</b>	Supply voltage out of range. [55]
<b>General flash failure w/r</b>	Non-volatile memory read/write failure. [57]
<b>Calibration certificate check sum failure</b>	Calibration certificate checksum mismatch. [58]

Refer to [Error messages in Insight software \(page 67\)](#) for more information about the error states.

#### More information

- [Solving typical problems \(page 66\)](#)

## 6.10.8 Connect to the probe in POLL mode

Use the **OPEN** command to connect to a probe that is in POLL mode.

**OPEN** [aa]<cr>

Syntax	Description
aa	address (0 ... 255)

Example:

```
open 1
HMP110 1 line opened for operator commands
```

## 6.10.9 Close the connection in POLL mode

The **CLOSE** command closes the connection to the probe.

**CLOSE**<cr>

Example:

```
close
line closed
```

## 6.10.10 Reset the probe

Use the **RESET** command to reset the probe. Upon reset or power-up, the probe enters the serial mode that has been set with the **S.MODE** command.

**RESET**<cr>

Example (probe set to serial mode STOP, will output probe model and software version at reset):

```
reset
HMP60 / 1.00.0
```

Example (probe set to serial mode RUN, will start to output measurement messages at reset):

```
reset
T= 23.6 'C RH= 20.2 %RH Td= -0.5 'C
T= 23.6 'C RH= 20.2 %RH Td= -0.5 'C
T= 23.3 'C RH= 20.2 %RH Td= -0.8 'C
...
```

## 6.10.11 Restore factory settings

Use the **FRESTORE** command to restore the factory settings to the probe. All user settings, including the user-performed calibration corrections, will be lost. The probe will revert back to the factory calibrated settings.

**FRESTORE**<cr>

Example:

```
frestore
Factory settings restored
```



## 7. Maintenance

### 7.1 Periodic maintenance

The humidity measurement accuracy of the HMP60 and HMP110 series probes should be calibrated yearly. When calibration indicates that accuracy is not within specification:

- HMP60 and HMP63: change the INTERCAP® sensor.
- HMP110 and HMP113: adjust the measurement yourself, or have it adjusted at Vaisala.

Light cleaning of the probe and replacement of the filter should be done only when necessary.

#### 7.1.1 Cleaning

The probe body can be wiped clean with a soft, lint-free cloth moistened with mild detergent. Do not use solvents or compressed air.

Note that wiping the membrane filter or stainless steel sintered filter may block its pores and/or deposit residue on the filter. If the filter is heavily contaminated, replace it.

#### 7.1.2 Replacing filter

The filter on the probe should be replaced when it is damaged or dirty.

- ▶ 1. Turn the filter counter-clockwise to loosen it.
2. Remove the filter from the probe. Be careful not to touch the sensors with the filter. Without the filter in place, the sensors are easily damaged – handle the probe carefully.
3. Install a new filter on the probe, and tighten it so it is finger-tight. Make sure the filter sits straight and meets the threads properly.

Order new filters from Vaisala.

#### More information

- [Filter options \(page 13\)](#)
- [Spare parts and accessories \(page 83\)](#)
- [Maintenance and calibration services \(page 95\)](#)

### 7.2 Calibration procedure

To calibrate your HMP60 or HMP110 series probe, you need a known stable humidity or temperature reference, and a way to read the output of the probe (Vaisala Insight software, analog output, serial output, the MI70 indicator, or the HM40 meter). As a humidity reference you can use, for example, the Vaisala Humidity Calibrator HMK15.

The probe can be connected to a PC with Vaisala USB cable 219690, and to the MI70 indicator with connection cable 219980. The HM40 meter does not need a specific connection cable.

For other cable options, see [Cables \(page 19\)](#) and [Spare parts and accessories \(page 83\)](#).



The probe cannot be used with the MI70 handheld indicator or the HM40 meter when the probe is in analog mode. To use the probe with MI70 or HM40, enable a serial mode (for example, STOP) in Vaisala Insight software. Use Insight also to return the probe to analog mode.

- ▶ 1. Connect the MI70 connection cable, the HM40 meter, or the USB cable to the HMP60/HMP110 probe.
  - **With MI70:** Connect the other end of the connection cable to the MI70 indicator.
  - **With Insight:** Leave the other end of the USB cable unconnected at this point. You can connect it to the PC after the stabilization period ([step 4](#)).
2. Remove the filter from the probe and place the probe in the reference environment. For example, you can use a NaCl salt chamber (75 %RH) as the humidity reference.
3. Wait for 20 ... 40 minutes for the reading to stabilize. Do not touch the probe or breathe in its direction during this time.
  - If you are using the MI70 indicator or the HM40 meter, you can follow the stabilization using the graph functionality.
  - If you are using the USB cable, do not keep the cable connected to the PC during the stabilization period for best calibration accuracy.
4. After the stabilization period:
  - **With MI70/HM40:** Switch MI70/HM40 off and on to start a blank graph.
  - **With Insight:** Connect the USB cable to the PC and start the Insight application.
5. Wait for 1 minute and make sure the graph showing the measurement reading is stable.
6. Check the measurement reading, and compare it with the reading shown by the humidity or temperature reference.

#### More information

- [Vaisala Insight software \(page 31\)](#)

## 7.3 Adjustment procedure using serial line (HMP110 and HMP113)



If you are adjusting a probe that is in the analog output mode, start the probe in RS-485 mode. For instructions, see [Accessing serial line command interface from analog or Modbus mode \(page 36\)](#).

### 7.3.1 1-point adjustment of RH measurement (HMP110 and HMP113)



You can also use Vaisala Insight software for performing calibration and adjustment. See [Vaisala Insight software \(page 31\)](#).

To perform a 1-point adjustment to the capacitance measurement of the HMP110 or HMP113 using serial line, you need:

- Vaisala USB cable (item code 219690)
- PC with a terminal application
- One humidity reference. 1-point adjustment with a single < 50 %RH reference adjusts the offset parameter of the measurement. 1-point adjustment with a single > 50 %RH reference adjusts the gain parameter of the measurement.

The following procedure uses the HMK15 Humidity Calibrator. LiCl salt (11 %RH) is used as the reference point.

- ▶ 1. Connect the USB cable to the PC, but do not connect it to the probe yet.
2. Remove the filter from the probe and insert the probe in the LiCl salt chamber of the humidity calibrator (11 %RH).
3. Start a terminal application and set the correct connection settings. The default serial settings are **19200 8 N 1**. Remember to check which COM port the USB cable is using.
4. Wait for 20 ... 40 minutes for the humidity to stabilize.
5. Start the terminal session and connect the USB cable to the probe. If your probe is in the analog output mode, press **ENTER** a few times to start it in RS-485 mode.
6. Verify that the connection works by giving the **?** command.

```
?
```

If the probe does not respond with device information:

- Disconnect the USB cable from the probe and retry. If your probe is in the analog output mode, press **ENTER** a few times immediately after connecting the USB cable.
  - Try the **??** command in case the probe is in POLL mode, open the line using **OPEN** command if necessary.
  - Check your serial line settings and cable connections.
7. When your serial connection is working, use the **L** command to see the current user adjustment parameters.

```
L
```

8. Use the **ERRS** command to see that no errors are active.

```
errs
```

9. Give the **CRH** command, with the %RH value of the reference as a parameter (in this case **11** for LiCl).

```
crh 11
OK
```

10. Check with the **L** command that the user adjustment parameters have changed.

#### More information

- [Clear adjustment of RH measurement \(page 47\)](#)

### 7.3.2 2-point adjustment of RH measurement (HMP110 and HMP113)



You can also use Vaisala Insight software for performing calibration and adjustment. See [Vaisala Insight software \(page 31\)](#).

To perform a 2-point adjustment to the capacitance measurement of the HMP110 or HMP113 using serial line you need:

- Vaisala USB cable (item code 219690)
- PC with a terminal application
- Two humidity references. The first point requires a < 50 %RH humidity reference, the second point must be > 50 %RH. There must also be at least 30 %RH difference between the references.

The following procedure uses the HMK15 Humidity Calibrator. LiCl salt (11 %RH) is used as the first reference point, NaCl (75 %RH) as the second.

1. Connect the USB cable to the PC, but do not connect it to the probe yet.
2. Remove the filter from the probe and insert the probe in the LiCl salt chamber of the humidity calibrator (11 %RH).
3. Start a terminal application and set the correct connection settings. The default serial settings are **19200 8 N 1**. Remember to check which COM port the USB cable is using.
4. Wait for 20 ... 40 minutes for the humidity to stabilize.
5. Start the terminal session and connect the USB cable to the probe. If your probe is in the analog output mode, you need to press **ENTER** a few times to start it in RS-485 mode.

6. Verify that the connection works by giving the **?** command.

```
?
```

If the probe does not respond with device information:

- Disconnect the USB cable from the probe and retry. If your probe is in the analog output mode, press **ENTER** a few times immediately after connecting the USB cable.
  - Try the **??** command in case the probe is in POLL mode, open the line using the **OPEN** command if necessary.
  - Check your serial line settings and cable connections.
7. When your serial connection is working, use the **L** command to see the current user adjustment parameters.

```
L
```

8. Use the **ERRS** command to see that no errors are active.

```
errs
```

9. Use the **SEND** command to verify the currently measured RH value.

```
send
T= 22.9 'C RH= 11.1 %RH Td= -8.0 'C
```

10. Give the **CRH** command with the RH value of the humidity reference as a parameter.

```
crh 11
OK
```

11. After entering the correction, unplug the USB cable from the probe. Insert the probe in the NaCl salt chamber (75 %RH) and wait for 20 ... 40 minutes for humidity and temperature to stabilize.
12. Connect the USB cable to the probe and use the **SEND** command to see the currently measured value.
13. Give the **CRH** command with the RH value of the humidity reference as a parameter.

```
crh 75
OK
```

14. Check with the **L** command that the user adjustment parameters have changed. If you wish to remove the effects of RH calibration (returning the RH measurement of the probe to the factory calibrated state).

**More information**

- [Clear adjustment of RH measurement \(page 47\)](#)

### 7.3.3 1-point adjustment of T measurement (HMP110, HMP113, and HMP110T)



You can also use Vaisala Insight software for performing calibration and adjustment. See [Vaisala Insight software \(page 31\)](#).

To perform a 1-point adjustment to the temperature measurement of the HMP110, HMP113, or HMP110T using serial line, you need:

- Vaisala USB cable (item code 219690)
- PC with a terminal application
- One known and stable temperature reference

- ▶ 1. Connect the USB cable to the PC, but do not connect it to the probe yet.
2. Remove the filter from the probe and insert the probe in the temperature reference.
3. Start a terminal application and set the correct connection settings. The default serial settings are **19200 8 N 1**. Remember to check which COM port the USB cable is using.
4. Wait for 20 ... 40 minutes for the temperature to stabilize.
5. Start the terminal session and connect the USB cable to the probe. If your probe is in the analog output mode, you need to press **ENTER** a few times to start it in RS-485 mode.
6. Verify that the connection works by giving the **?** command.

```
?
```

If the probe does not respond with device information:

- Disconnect the USB cable from the probe and retry. If your probe is in the analog output mode, press **ENTER** a few times immediately after connecting the USB cable.
  - Try the **??** command in case the probe is in POLL mode, open the line using **OPEN** command if necessary.
  - Check your serial line settings and cable connections.
7. When your serial connection is working, use the **L** command to see the current user adjustment parameters.

```
l
```

8. Use the **ERRS** command to see that no errors are active.

```
errs
```

9. Give the **CT** command, with the temperature value of the reference as a parameter.

```
ct 23.5
OK
```

10. Check with the **L** command that the user adjustment parameters have changed.  
If you wish to remove the effects of T calibration (returning the T measurement of the probe to the factory calibrated state).

#### More information

- [Clear adjustment of T measurement \(page 48\)](#)

## 7.4 Adjustment procedure using MI70 indicator (HMP110 and HMP113)



The probe cannot be used with the MI70 handheld indicator when the probe is in analog mode. To use the probe with MI70, enable a serial mode (for example, STOP) in Vaisala Insight software. Use Insight also to return the probe to analog mode. See [Vaisala Insight software \(page 31\)](#).



For more information on the MI70 indicator and the HM70 meter, see the *HM70 Handheld Humidity and Temperature Meter User Guide (M210297EN)*.

### 7.4.1 1-point adjustment of RH measurement using MI70 indicator (HMP110 and HMP113)



If you want to perform a 2-point adjustment instead of a 1-point adjustment, use Vaisala Insight software or the serial line. See [Vaisala Insight software \(page 31\)](#) and [2-point adjustment of RH measurement \(HMP110 and HMP113\) \(page 58\)](#).

To perform a 1-point adjustment to the capacitance measurement of the HMP110 or HMP113 using the MI70 indicator, you need:

- MI70 indicator
- Connection cable for MI70 indicator (Vaisala item code 219980)
- One humidity reference. 1-point adjustment with a single < 50 %RH reference will adjust the offset parameter of the measurement. 1-point adjustment with a single > 50 %RH reference will adjust the gain parameter of the measurement.

The following procedure uses the HMK15 Humidity Calibrator. LiCl salt (11 %RH) is used as the reference point.

- ▶ 1. Connect the probe to Port I of the MI70 indicator.
2. Turn on the MI70 indicator.
3. Start the adjustment sequence from **Main menu > Functions > Adjustments**.
4. MI70 notifies you that automatic power off is disabled during adjustment mode, press **OK** to acknowledge.
5. Select the **RH** parameter when prompted.
6. Now the adjustment mode is on, press **ADJUST** to select the adjustment method.
7. Select **1-point adjustment**, press **SELECT**. Press **OK** to continue.
8. Insert the probe in the LiCl salt chamber of the humidity calibrator (11 %RH).  
You can follow the stabilization from the **GRAPH** display. Press **READY** when the reading is stabilized.
9. Give the reference humidity value by using the arrow buttons. Press **OK**.
10. Confirm the adjustment, press **YES** (by pressing **NO** you return to adjustment mode display and no changes are made).
11. Adjustment has been carried out. Press **BACK** to exit the adjustment mode, and press **EXIT** to return to the basic display.

#### More information

- [2-point adjustment of RH measurement \(HMP110 and HMP113\) \(page 58\)](#)

### 7.4.2 1-point adjustment of temperature measurement using MI70 indicator (HMP110 and HMP113)

Temperature adjustment can be done if there is reason to believe that the adjustment is changed. In a 1-point adjustment, make sure the reference condition represents the measuring environment.

To perform a 1-point adjustment to the temperature measurement of the HMP110 or HMP113 using the MI70 indicator, you need:

- MI70 indicator
- Connection cable for MI70 indicator (Vaisala item code 219980)
- One known and stable temperature reference

- ▶ 1. Connect the probe to Port I of the MI70 indicator.
2. Turn on the MI70 indicator.
3. Start the adjustment sequence from **Main menu > Functions > Adjustments**.
4. MI70 notifies you that automatic power off is disabled during adjustment mode, press **OK** to acknowledge.
5. Select the **T** parameter when prompted.
6. Now the adjustment mode is on, press **ADJUST** to select the adjustment method.
7. Select **1-point adjustment**, press **SELECT**.



8. Set the probe to a reference temperature. You can follow the stabilization from the **GRAPH** display. Press **READY** when the reading is stabilized in the reference.
9. Give the reference temperature value by using the arrow buttons. Press **OK**.
10. Confirm the adjustment, press **YES** (by pressing **NO** you return to adjustment mode display and no changes are made).
11. Calibration is carried out. Press **BACK** to exit the adjustment mode and **EXIT** to return to the basic display.

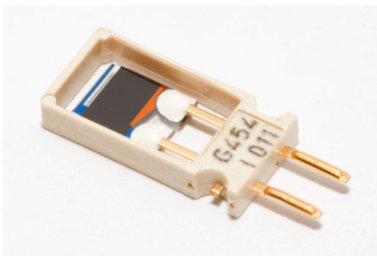
## 7.5 Repair maintenance

### 7.5.1 Changing the INTERCAP sensor (HMP60 and HMP63)


This procedure restores the humidity measurement accuracy of the probe. No adjustment after the sensor change is needed.

To perform this procedure, you need a new INTERCAP® sensor. It is also recommended that you replace the filter with a new one.

- ▶ 1. Remove the filter from the probe by turning it counter-clockwise.
- 2. There are 2 sensors under the filter, the INTERCAP® sensor and a temperature sensor. Identify the INTERCAP® sensor. Do not touch the temperature sensor.




3. Pull out the old INTERCAP® sensor and insert a new one. Handle the new sensor by the plastic frame.

 **CAUTION!** Do not touch the sensor plate.



4. Attach a new filter on the probe.

### 7.5.2 Changing the HUMICAP 180R/180V sensor (HMP110 and HMP113)

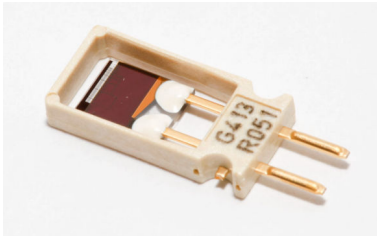
 Replacing the humidity sensor of the HMP110 and HMP113 is not necessary in normal operation. If the accuracy of the probe does not seem to be within specification, it is likely that the accuracy can be restored by performing the adjustment procedure.

Follow this procedure to replace the humidity sensor of the HMP110 and HMP113 in case it has been damaged, or normal adjustment is not sufficient to restore the measurement accuracy. Calibration and adjustment of the humidity measurement is required after the sensor change.

To perform this procedure, you need a new HUMICAP® 180R/180V sensor. It is also recommended that you replace the filter with a new one.

- ▶ 1. Remove the filter from the probe by turning it counter-clockwise.

2. There are 2 sensors under the filter, the HUMICAP® sensor and a temperature sensor. Identify the HUMICAP® sensor. Do not touch the temperature sensor.



3. Pull out the old HUMICAP® sensor and insert a new one. Handle the new sensor by the plastic frame.



**CAUTION!** Do not touch the sensor plate.

4. Perform a 2-point adjustment of the RH measurement.
5. Attach a new filter on the probe.

#### More information

- [2-point adjustment of RH measurement \(HMP110 and HMP113\) \(page 58\)](#)

## 8. Troubleshooting

### 8.1 Analog output error notification

If the device is unable to measure due to an error, the analog output is set to an error level. The default error level is 0 V, or another value predefined by the customer when ordering the device.

You can change the analog output error level using the **AERR** command.

**More information**

- [Set analog output error indication level \(page 50\)](#)

### 8.2 Solving typical problems

You can check the error message via the serial interface by using the **ERRS** command. If you are unable to remove the errors, contact Vaisala. For contact information, see [Technical support \(page 95\)](#).

Table 14 Troubleshooting table

Problem or message	Likely causes and solutions
Measurement not working. Any of the following errors active: <ul style="list-style-type: none"> <li>• T meas error</li> <li>• RH meas error</li> </ul>	Sensor(s) damaged or missing. Open the filter and check.
	Check the supply voltage of the probe.
	Check the output mode of the probe using serial line.
Humidity measurement appears to be wrong.	Check for condensation on the probe and sensor.
	Use the <b>L</b> command to check the currently applied calibration correction.
	Calibrate and adjust the probe (HMP110).
	Calibrate the probe and change the sensor if necessary (HMP60).

Problem or message	Likely causes and solutions
The probe is not responding to any serial commands.	Disconnect the USB cable from the probe and retry. If your probe is in the analog output mode, press <b>ENTER</b> a few times immediately after connecting the USB cable.
	Try the <b>??</b> command in case the probe is in POLL mode, open the line using <b>OPEN</b> command if necessary.
	Check your serial line settings and cable connections.
The following error is active: Voltage error	Operating voltage out of range. Correct voltage and reset probe.
Any check sum error is active. For example: <ul style="list-style-type: none"> <li>• Program flash check sum error</li> <li>• Parameter flash check sum error</li> </ul>	Internal error. Perform the following steps: <ol style="list-style-type: none"> <li>1. Return the probe to factory settings using the <b>FRESTORE</b> command. Check again.</li> <li>2. If the error is still active, contact Vaisala.</li> </ol>
The following error is active: Frequency measurement outside the permissible value range	Check for condensation on the probe and sensor. Allow the probe and sensor to dry. If the error is still active, there may be a problem with the electronics. Contact Vaisala.

#### More information

- [Technical support \(page 95\)](#)

## 8.3 Error messages in Insight software

Table 15 Error messages in Insight software

Error	Likely cause	Suggested solution
Temperature measurement error. [44]	Temperature sensor is short circuited, damaged, or missing.	Check that the legs of the temperature sensor are not short circuited. Contact Vaisala if the temperature sensor is damaged.
Humidity measurement error. [45]	Humidity sensor is wet.	Wait for the humidity sensor to dry, or remove the filter and gently dry the sensors and the filter with clean instrument air.
Humidity sensor failure. [46]	Humidity sensor is damaged or missing.	Replace the humidity sensor or contact Vaisala.
Ambient temperature out of range. [48]	Ambient temperature is too high.	Lower the temperature at the installation site.

Error	Likely cause	Suggested solution
Supply voltage out of range. [55]	Supply voltage is too low.	Check and correct the power supply and wiring.
Capacitance reference error. [47]	Internal transmitter failure.	Power-cycle the device, and if necessary, restore the factory settings. If the error remains, contact Vaisala.
Firmware checksum mismatch. [49]		
Device settings corrupted. [50]		
Additional configuration settings corrupted. [51]		
Sensor coefficients corrupted. [52]		
Main configuration settings corrupted. [53]		
Non-volatile memory read/write failure. [57]		
Calibration certificate checksum mismatch. [58]		

In case of constant error, contact Vaisala.

**More information**

- [Technical support \(page 95\)](#)

## 8.4 Error codes in MI70 Handheld Meter

If several errors are active at the same time, the MI70 shows the sum of currently active error codes. The label "hex" might not be displayed in MI70.

Refer to [Error messages in Insight software \(page 67\)](#) for more information about the error states.

**Table 16** Error codes in MI70

Transmitter error code in MI70	Corresponding error
1 <sub>hex</sub>	Temperature measurement error. [44]
2 <sub>hex</sub>	Humidity measurement error. [45]
4 <sub>hex</sub>	Humidity sensor failure. [46]

Transmitter error code in MI70	Corresponding error
8 <sub>hex</sub>	Capacitance reference error. [47]
10 <sub>hex</sub>	Ambient temperature out of range. [48]
20 <sub>hex</sub>	Firmware checksum mismatch. [49]
40 <sub>hex</sub>	Device settings corrupted. [50]
80 <sub>hex</sub>	Additional configuration settings corrupted. [51]
100 <sub>hex</sub>	Sensor coefficients corrupted. [52]
200 <sub>hex</sub>	Main configuration settings corrupted. [53]
800 <sub>hex</sub>	Supply voltage out of range. [55]
2000 <sub>hex</sub>	Non-volatile memory read/write failure. [57]
4000 <sub>hex</sub>	Calibration certificate checksum mismatch. [58]

## 8.5 Unknown serial settings

You can check the current serial settings of your probe by connecting to the serial line, or with Vaisala Insight software.

### More information

- [Vaisala Insight software \(page 31\)](#)
- [Accessing serial line command interface from analog or Modbus mode \(page 36\)](#)

## 9. Technical data

### 9.1 HMP60 specifications

Table 17 HMP60 measurement performance

Property	Description/Value
<b>Relative humidity</b>	
Measurement range	0 ... 100 %RH
Typical accuracy:	
at 0 ... +40 °C (+32 ... +140 °F)	±3 %RH (0 ... 90 %RH) ±5 %RH (90 ... 100 %RH)
at -40 ... 0 °C and +40 ... +60 °C (-40 ... +32 °F and +104 ... +140 °F)	±5 %RH (0 ... 90 %RH) ±7 %RH (90 ... 100 %RH)
Humidity sensor	Vaisala INTERCAP®
<b>Temperature</b>	
Measurement range	-40 ... +60 °C (-40 ... +140 °F)
Accuracy:	
at +10 ... +30 °C (+50 ... +86 °F)	±0.5 °C (±32.9 °F)
at -40 ... +10 and +30 ... +60 °C (-40 ... +50 and +86 ... +140 °F)	±0.6 °C (±33.08 °F)
<b>Dew point temperature</b>	
Measurement range	-40 ... +60 °C (-40 ... +140 °F)
Typical accuracy:	
at +32 ... +40 °C (0 ... +140 °F) when dew point depression <sup>1)</sup> < +15 °C (< +59 °F)	±2 °C (±35.6 °F)
at -40 ... 0 °C and +40 ... +60 °C (-40 ... +32 °F and +104 ... +140 °F) when dew point depression < +10 °C (< +50 °F)	±3 °C (±37.4 °F)
<b>Analog outputs</b>	
Accuracy at +20 °C (+68 °F)	±0.2 % of FS
Temperature dependence	±0.01 % of FS/°C (±0.006 % of FS/°F)

1) *Dew point depression = ambient temperature - dew point.*



Table 18 HMP60 calculated parameters

Property	Description/Value
<b>Measurement ranges</b>	
Dew point temperature	-40 ... +60 °C (-40 ... +140 °F)
Wet bulb temperature	-40 ... +60 °C (-40 ... +140 °F)
Absolute humidity	0 ... 130 g/m <sup>3</sup> (0 ... 57 gr/ft <sup>3</sup> )
Mixing ratio	0 ... 153 g/kg (0 ... 1069 gr/lb)
Enthalpy	-40 ... 459 kJ/kg (-9.6 ... 207 BTU/lb)

Table 19 HMP60 operating environment

Property	Description/Value
Operating temperature	-40 ... +60 °C (-40 ... +140 °F)
EMC compliance	EN 61326-1, industrial environment

Table 20 HMP60 inputs and outputs

Property	Description/Value
Power consumption	1 mA average, max. peak 5 mA
<b>Operating voltage</b> <sup>1)</sup>	
With 1 V / 2.5 V output	5 ... 28 VDC
With 5 V output	8 ... 28 VDC
With loop power converter	8 ... 28 VDC
With digital output	5 ... 28 VDC
<b>Start-up time</b>	
Probes with analog output	4 s at operating voltage 13.5 ... 16.5 VDC 2 s at other valid operating voltages
Probes with digital output	1 s
<b>Outputs</b>	
2 channels	0 ... 1 VDC / 0 ... 2.5 VDC / 0 ... 5 VDC / 1 ... 5 VDC
1-channel loop-power converter (separate module, compatible with humidity accuracy only)	4 ... 20 mA
Digital output (optional)	RS-485 2-wire half duplex, supports Modbus RTU

Property	Description/Value
<b>External loads</b>	
0 ... 1 V	R <sub>L</sub> min. 10 kΩ
0 ... 2.5 V / 0 ... 5 V	R <sub>L</sub> min. 50 kΩ
<b>Output parameters</b>	
Relative humidity, temperature, dew point temperature, wet bulb temperature, absolute humidity, mixing ratio, enthalpy	

1) Use lowest available operating voltage to minimize heating.

Table 21 HMP60 mechanical specifications

Property	Description/Value
IP rating	IP65 <sup>1)</sup>
Body thread	M12x1 / 10 mm (0.4 in)
Cable connector	4-pin M8 (IEC 60947-5-2)
<b>Materials</b>	
Body	Stainless steel (AISI 316)
Grid filter	Chrome coated ABS plastic
Cable	Polyurethane or FEP
<b>Weight</b>	
Probe	17 g (0.6 oz)
Probe with 0.3 m (1 ft) cable	28 g (1 oz)

1) Applicable with stainless steel sintered filter and PTFE sintered filter only.

## 9.2 HMP63 specifications

Table 22 HMP63 measurement performance

Property	Description/Value
<b>Relative humidity</b>	
Measurement range	0 ... 100 %RH
Typical accuracy:	
at 0 ... +40 °C (+32 ... +140 °F)	±3 %RH (0 ... 90 %RH) ±5 %RH (90 ... 100 %RH)

Property	Description/Value
at -40 ... 0 °C and +40 ... +60 °C (-40 ... +32 °F and +104 ... +140 °F)	±5 %RH (0 ... 90 %RH) ±7 %RH (90 ... 100 %RH)
Humidity sensor	Vaisala INTERCAP®
<b>Temperature</b>	
Measurement range	-40 ... +60 °C (-40 ... +140 °F)
Accuracy:	
at +10 ... +30 °C (+50 ... +86 °F)	±0.5 °C (±32.9 °F)
at -40 ... +10 and +30 ... +60 °C (-40 ... +50 and +86 ... +140 °F)	±0.6 °C (±33.08 °F)
<b>Dew point temperature</b>	
Measurement range	-40 ... +60 °C (-40 ... +140 °F)
Typical accuracy:	
at 0 ... +40 °C (+32 ... +140 °F) when dew point depression <sup>1</sup> < 15 °C	±2 °C (±35.6 °F)
at -40 ... 0 °C and +40 ... +60 °C (-40 ... +32 °F and +104 ... +140 °F) when dew point depression < 10 °C <sup>1)</sup>	±3 °C (±37.4 °F)
<b>Analog outputs</b>	
Accuracy at 20 °C (+68 °F)	±0.2 % of FS
Temperature dependence	±0.01 % of FS/°C (±0.006 % of FS/°F)

1) *Dew point depression = ambient temperature – dew point*

Table 23 HMP63 calculated parameters

<b>Measurement ranges</b>	
Dew point temperature	-40 ... +60 °C (-40 ... +140 °F)
Wet bulb temperature	-40 ... +60 °C (-40 ... +140 °F)
Absolute humidity	0 ... 130 g/m <sup>3</sup> (0 ... 57 gr/ft <sup>3</sup> )
Mixing ratio	0 ... 153 g/kg (0 ... 1069 gr/lb)
Enthalpy	-40 ... 459 kJ/kg (-9.6 ... 207 BTU/lb)

Table 24 HMP63 operating environment

Property	Description/Value
Operating temperature	-40 ... +60 °C (-40 ... +140 °F)
EMC compliance	EN 61326-1, basic immunity test requirements

Table 25 HMP63 inputs and outputs

Property	Description/Value
Power consumption	1 mA average, max. peak 5 mA
<b>Operating voltage<sup>1)</sup></b>	
With 1 V / 2.5 V output	5 ... 28 VDC
With 5 V output	8 ... 28 VDC
With loop power converter	8 ... 28 VDC
With digital output	5 ... 28 VDC
<b>Start-up time</b>	
Probes with analog output	4 s at operating voltage 13.5 ... 16.5 VDC 2 s at other valid operating voltages
Probes with digital output	1 s
<b>Outputs</b>	
2 channels	0 ... 1 VDC / 0 ... 2.5 VDC / 0 ... 5 VDC / 1 ... 5 VDC
1-channel loop-power converter (separate module, compatible with humidity accuracy only)	4 ... 20 mA
Digital output (optional)	RS-485 2-wire half duplex, supports Modbus RTU
<b>External loads</b>	
0 ... 1 V	$R_L$ min. 10 k $\Omega$
0 ... 2.5 V / 0 ... 5 V	$R_L$ min. 50 k $\Omega$
<b>Output parameters</b>	
Relative humidity, temperature, dew point temperature, wet bulb temperature, absolute humidity, mixing ratio, enthalpy	

1) Use lowest available operating voltage to minimize heating.

Table 26 HMP63 mechanical specifications

Property	Description/Value
IP rating	IP54 <sup>1)</sup>
Cable connector	4-pin M8 (IEC 60947-5-2)
<b>Materials</b>	
Body	PC/ABS blend
Grid filter	PC (glass reinforced)
Cable	Polyurethane or FEP
<b>Weight</b>	
Probe	9 g (0.3 oz)
Probe with 0.3 m (1 ft) cable	20 g (0.7 oz)

1) Not applicable with the plastic grid filter.

## 9.3 HMP110 specifications

Table 27 HMP110 measurement performance

Property	Description/Value
<b>Relative humidity</b>	
Measurement range	0 ... 100 %RH
Accuracy: <sup>1) 2)</sup>	
at 0 ... +40 °C (+32 ... +104 °F)	±1.5 %RH (0 ... 90 %RH) ±2.5 %RH (90 ... 100 %RH)
at -40 ... 0 °C (-40 ... +32 °F) and +40 ... +80 °C (+104 ... +176 °F)	±3.0 %RH (0 ... 90 %RH) ±4.0 %RH (90 ... 100 %RH)
Factory calibration uncertainty at +20 °C (+68 °F)	±1.1 %RH (0 ... 90 %RH) ±1.8 %RH (90 ... 100 %RH)
Humidity sensor types	HUMICAP® 180R HUMICAP® 180V
Stability	±2 %RH over 2 years
<b>Temperature</b>	
Measurement range	-40 ... +80 °C (-40 ... +176 °F)
Accuracy (probes with analog output):	

Property	Description/Value
at 0 ... +40 °C (+32 ... +104 °F)	±0.2 °C (±0.36 °F)
at -40 ... 0 °C (-40 ... +32 °F) and +40 ... +80 °C (+104 ... +176 °F)	±0.4 °C (±0.72 °F)
Accuracy (probes with digital output):	
at +15 ... +25 °C (+59 ... +77 °F)	±0.1 °C (±0.18 °F)
at 0 ... +15 °C (+ 32 ... +59 °F) and +25 ... +40 °C (+77 ... +104 °F)	±0.15 °C (±0.27 °F)
at -40 ... 0 °C (-40 ... +32 °F) and +40 ... +80 °C (+104 ... +176 °F)	±0.4 °C (±0.72 °F)
Temperature sensor	Pt1000 RTD Class F0.1 IEC 60751
<b>Dew point temperature</b>	
Measurement range	-40 ... +80 °C (-40 ... +176 °F)
Accuracy (at 20 °C (68 °F) and 80 %RH <sup>1)</sup> ):	
at 0 ... +40 °C (+32 ... +104 °F) when dew point depression < +15 °C (+59 °F) <sup>3)</sup> when dew point depression +15 ... +25 °C (+59 ... +77 °F)	±1 °C (±33.8 °F) ±2 °C (±35.6 °F)
at -40 ... 0 °C (-40 ... +32 °F) and +40 ... +80 °C (+104 ... +176 °F), when when dew point depression < +15 °C (+59 °F)	±2 °C (±35.6 °F)
<b>Analog outputs</b>	
Accuracy at +20 °C (+68 °F)	±0.2 % of FS
Temperature dependence	±0.01 % of FS/°C (±0.006 % of FS/°F)

- 1) Including non-linearity, hysteresis, and repeatability.
- 2) With HUMICAP® 180V sensor, accuracy is not specified below -20 °C (-4 °F) operating temperature.
- 3) Dew point depression = ambient temperature - dew point.

Table 28 HMP110 calculated parameters

Property	Description/Value
<b>Measurement ranges</b>	
Dew point temperature	-40 ... +80 °C (-40 ... +176 °F)
Wet bulb temperature	-40 ... +80 °C (-40 ... +176 °F)
Absolute humidity	0 ... 291 g/m <sup>3</sup> (0 ... 127 gr/ft <sup>3</sup> )

Property	Description/Value
Mixing ratio	0 ... 548 g/kg (0 ... 3836 gr/lb)
Enthalpy	-40 ... 1530 kJ/kg (-9.6 ... 674 BTU/lb)

Table 29 HMP110 operating environment

Property	Description/Value
Operating temperature	-40 ... +80 °C (-40 ... +176 °F)
EMC compliance	EN 61326-1, industrial environment

Table 30 HMP110 inputs and outputs

Property	Description/Value
Power consumption	1 mA average, max. peak 5 mA
<b>Operating voltage</b> <sup>1)</sup>	
With 1 V / 2.5 V output	5 ... 28 VDC
With 5 V output	8 ... 28 VDC
With loop power converter	8 ... 28 VDC
With digital output	5 ... 28 VDC
<b>Start-up time</b>	
HMP110 probes with analog output	4 s at operating voltage 13.5 ... 16.5 VDC 2 s at other valid operating voltages
HMP110 probes with digital output	1 s
<b>Outputs</b>	
2 channels	0 ... 1 VDC / 0 ... 2.5 VDC / 0 ... 5 VDC / 1 ... 5 VDC
1-channel loop-power converter (separate module, compatible with humidity accuracy only)	4 ... 20 mA
Digital output (HMP110 probes with digital output)	RS-485 2-wire half duplex, supports Modbus RTU
<b>External loads</b>	
0 ... 1 V	R <sub>L</sub> min 10 kΩ
0 ... 2.5 V / 0 ... 5 V	R <sub>L</sub> min 50 kΩ
<b>Output parameters</b>	

Property	Description/Value
Relative humidity, temperature, dew point temperature, wet bulb temperature, absolute humidity, mixing ratio, enthalpy	

1) Use lowest available operating voltage to minimize heating.

Table 31 HMP110 mechanical specifications

Property	Description/Value
IP rating	IP65 <sup>1)</sup>
Body thread	M12x1 / 10 mm (0.4 in)
Cable connector	M8 4-pin female (IEC 60947-5-2)
<b>Materials</b>	
Body	Stainless steel (AISI 316)
Grid filter	Chrome coated ABS plastic
Cable	Polyurethane or FEP
<b>Weight</b>	
Probe	17 g (0.6 oz)
Probe with 0.3 m (1 ft) cable	28 g (1 oz)

1) Applicable with stainless steel sintered filter and PTFE sintered filter only.

## 9.4 HMP113 specifications

Table 32 HMP113 measurement performance

Property	Description/Value
<b>Relative humidity</b>	
Measurement range	0 ... 100 %RH
Accuracy (incl. non-linearity, hysteresis, and repeatability):	
at 0 ... +40 °C (+32 ... +104 °F)	±1.5 %RH (0 ... 90 %RH) ±2.5 %RH (90 ... 100 %RH)
at -40 ... 0 °C (-40 ... +32 °F) and +40 ... +60 °C (+104 ... +140 °F)	±3.0 %RH (0 ... 90 %RH) ±4.0 %RH (90 ... 100 %RH)
Factory calibration uncertainty at +20 °C (+68 °F):	±1.1 %RH (0 ... 90 %RH) ±1.8 %RH (90 ... 100 %RH)



Property	Description/Value
Humidity sensor	HUMICAP® 180R
Stability	±2 %RH over 2 years
<b>Temperature</b>	
Measurement range	-40 ... +60 °C (-40 ... +140 °F)
Accuracy:	
at 0 ... +40 °C (+32 ... +104 °F)	±0.2 °C (±0.36 °F)
at -40 ... 0 °C (-40 ... +32 °F) and +40 ... +60 °C (+104 ... +140 °F)	±0.4 °C (±0.72 °F)
Temperature sensor	Pt1000 RTD Class F0.1 IEC 60751
<b>Dew point temperature</b>	
Measurement range	-40 ... +60 °C (-40 ... +140 °F)
Accuracy (incl. non-linearity, hysteresis, and repeatability):	
at 0 ... +40 °C (+32 ... +104 °F) when dew point depression < +15 °C (+59 °F) <sup>1)</sup> when dew point depression +15 ... +25 °C (+59 ... +77 °F)	±1 °C (±33.8 °F) ±2 °C (±35.6 °F)
at -40 ... 0 °C (-40 ... +32 °F) and +40 ... +60 °C (+104 ... +140 °F), when dew point depression < +15 °C (+59 °F)	±2 °C (±35.6 °F)
<b>Analog outputs</b>	
Accuracy at +20 °C (+68 °F)	±0.2 % of FS
Temperature dependence	±0.01 % of FS/°C (±0.006 % of FS/°F)

1) *Dew point depression = ambient temperature – dew point*

Table 33 HMP113 calculated parameters

Property	Description/Value
<b>Measurement ranges</b>	
Dew point temperature	-40 ... +60 °C (-40 ... +140 °F)
Wet bulb temperature	-40 ... +60 °C (-40 ... +140 °F)
Absolute humidity	0 ... 130 g/m <sup>3</sup> (0 ... 57 gr/ft <sup>3</sup> )
Mixing ratio	0 ... 153 g/kg (0 ... 1069 gr/lb)
Enthalpy	-40 ... 459 kJ/kg (-9.6 ... 207 BTU/lb)

Table 34 HMP113 operating environment

Property	Description/Value
Operating temperature	-40 ... +60 °C (-40 ... +140 °F)
EMC compliance	EN 61326-1, basic immunity test requirements

Table 35 HMP113 inputs and outputs

Property	Description/Value
Power consumption	1 mA average, max. peak 5 mA
<b>Operating voltage</b> <sup>1)</sup>	
With 1 V / 2.5 V output	5 ... 28 VDC
With 5 V output	8 ... 28 VDC
With loop power converter	8 ... 28 VDC
With digital output	5 ... 28 VDC
<b>Start-up time</b>	
Probes with analog output	4 s at operating voltage 13.5 ... 16.5 VDC 2 s at other valid operating voltages
Probes with digital output	1 s
<b>Outputs</b>	
2 channels	0 ... 1 VDC / 0 ... 2.5 VDC / 0 ... 5 VDC / 1 ... 5 VDC
1-channel loop-power converter (separate module, compatible with humidity accuracy only)	4 ... 20 mA
Digital output (optional)	RS-485 2-wire half duplex, supports Modbus RTU
<b>External loads</b>	
0 ... 1 V	$R_L$ min 10 k $\Omega$
0 ... 2.5 V / 0 ... 5 V	$R_L$ min 50 k $\Omega$
<b>Output parameters</b>	
Relative humidity, temperature, dew point temperature, wet bulb temperature, absolute humidity, mixing ratio, enthalpy	

1) Use lowest available operating voltage to minimize heating.

Table 36 HMP113 mechanical specifications

Property	Description/Value
IP rating	IP54 <sup>1)</sup>
Cable connector	4-pin M8 (IEC 60947-5-2)
<b>Materials</b>	
Body	PC/ABS blend
Grid filter	PC (glass reinforced)
Cable	Polyurethane or FEP
<b>Weight</b>	
Probe	9 g (0.3 oz)
Probe with 0.3 m (1 ft) cable	20 (0.7 oz)

1) Not applicable with the plastic grid filter.

## 9.5 Probe dimensions

### 9.5.1 HMP60, HMP110, and HMP110T dimensions

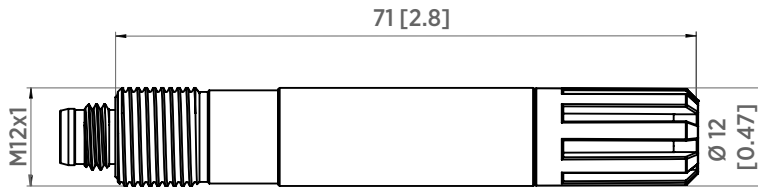


Figure 19 HMP60, HMP110, and HMP110T dimensions in mm [in]

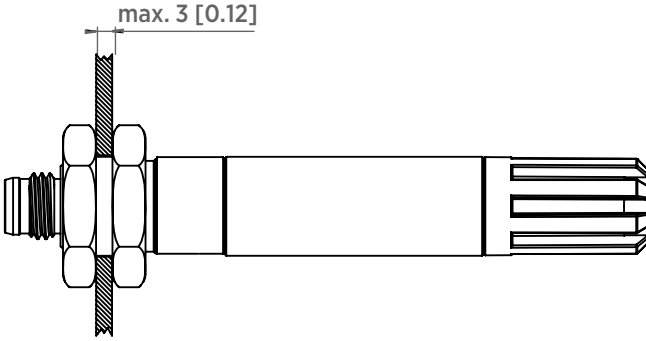


Figure 20 Installation with plastic M12 nuts

### 9.5.2 HMP63 and HMP113 dimensions

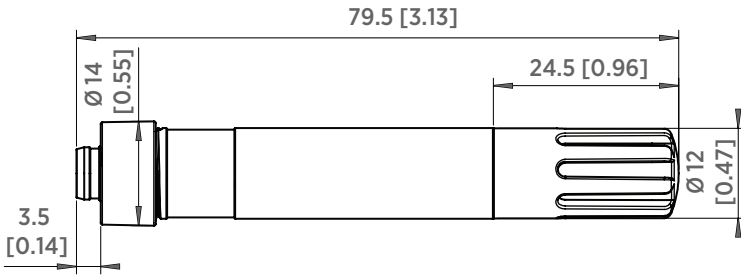


Figure 21 HMP63 and HMP113 dimensions in mm [in]

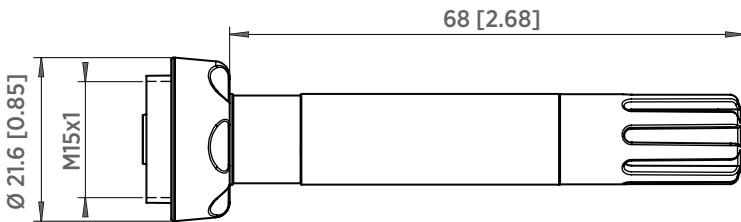


Figure 22 HMP63 and HMP113 with plastic locking bushing

## 9.6 Spare parts and accessories



Information on spare parts, accessories, and calibration products is available online at [www.vaisala.com](http://www.vaisala.com) and [store.vaisala.com](http://store.vaisala.com).

Table 37 HMP60, HMP63, HMP110, and HMP113 spare parts and accessories

Item	Item code
<b>Sensors</b>	
For HMP60 and HMP63:	
Vaisala INTERCAP® sensor, 1 pc	15778HM
Vaisala INTERCAP® sensor, 10 pcs	INTERCAPSET-10PCS
For HMP110 and HMP113:	
Vaisala HUMICAP® 180R	HUMICAP180R
Vaisala HUMICAP® 180V	HUMICAP180V
<b>Sensor protection</b>	
For HMP60 and HMP110:	
Plastic grid filter	DRW010522SP
Membrane filter	DRW010525SP
Stainless steel sintered filter	HM46670SP
PTFE membrane filter with stainless steel grid	ASM212652SP
PTFE sintered filter	DRW244938SP
For HMP63 and HMP113:	
Plastic grid filter	DRW240185SP
Plastic grid with membrane filter	ASM210856SP
Stainless steel sintered filter	HM47280SP
Porous PTFE filter	219452SP
<b>Probe installation</b>	
For HMP60 and HMP110:	
Probe mounting clamp set, 10 pcs	226067
Probe mounting flange	226061
Probe holder, 5 pcs	ASM213382SP
Plastic M12 installation nuts, 1 pair	18350SP

Item	Item code
Flat extension cable 1 m (3 ft) <sup>1)</sup>	CBL210649SP
For HMP63 and HMP113:	
Probe mounting clamp set, 10 pcs	226067
Probe mounting flange	226061
Probe holder, 5 pcs	ASM213382SP
Plastic locking bushing (3 pcs) for attaching the probe to HM40 indicator	DRW238590SP
<b>Connection adapters</b> <sup>2)</sup>	
4 ... 20 mA loop power converter	UI-CONVERTER-1CB
Mounting bracket for converter	225979
USB cable for PC connection	219690
Connection cable for MI70 indicator	219980SP
<b>Connection cables with open wires</b>	
+60 °C 0.3 m (+140 °F 1 ft)	HMP50Z032SP
+60 °C 1.2 m (+140 °F 4 ft)	HMP50Z120
+60 °C 3 m (+140 °F 9.8 ft)	HMP50Z300SP
+80 °C 1.5 m (+176 °F 5 ft)	225777SP
+80 °C 3 m (+176 °F 10 ft)	225229SP
+180 °C 1.5 m (+356 °F 5 ft) FEP	238025
+180 °C 3 m (+356 °F 10 ft) FEP	226902SP

1) Connection cable 219980SP is also needed if this cable is used with MI70 indicator.

2) No separate adapter is needed for HM40 compatibility.

## Appendix A. Modbus reference

### A.1 Communication settings

The following table lists the default Modbus serial settings of devices ordered with the Modbus configuration option.

Table 38 Modbus communication settings

Property	Description/Value
Serial bit rate	19200
Parity	None
Number of data bits	8
Number of stop bits	2
Flow control	None
Modbus device address	240
Serial delay	0
Communication mode	Modbus RTU

You can use up to 32 probes on the same RS-485 line when the communication speed is 19200 bps or lower. You must configure each probe on the line to have a different Modbus address.



RS-485 termination must not be used with HMP60/HMP110 series probes.



After power-up, it may take up to 2 seconds before the probe responds to any Modbus request.

### A.2 Function codes

Table 39 Supported Modbus function codes

Function code	Function code (hexadecimal)	Name
03	03 <sub>hex</sub>	Read Holding Registers
16	10 <sub>hex</sub>	Write Multiple Registers

Function code	Function code (hexadecimal)	Name
43 / 14	2B <sub>hex</sub> / 0E <sub>hex</sub>	Read Device Identification

## A.3 Data encoding

In the data registers, the numeric values are available in one or two formats with separate register addresses: 32-bit IEEE floating point format and/or 16-bit signed integer format.



For values that have both 32-bit and 16-bit register available, use of the 32-bit register is recommended.

### A.3.1 32-bit floating point or 32-bit integer format

Registers using **32-bit float** data format are encoded using the **binary32** encoding defined in IEEE 754. The format is also known as "single-precision floating point format".

The least significant 16 bits of a floating point number are placed at the Modbus register listed in the table, while the most significant 16 bits are placed in the register with number/address + 1, as specified in Open Modbus TCP Specification, Release 1.0. This is also known as "little-endian" or "Modicon" word order.

Despite the specification, some Modbus masters may expect a "big-endian" word order (most significant word first). In such case, you must select "word-swapped" floating point format in your Modbus master for the Modbus registers of the device.

A complete 32-bit floating point or 32-bit integer value should be read and written in a single Modbus transaction.



**CAUTION!** Reading the measurement data registers with incorrect floating point format setting may occasionally result in correct-looking, but nevertheless incorrect values.



It is highly recommended to verify that you have configured the floating point format correctly on your Modbus host system by reading a floating point value from a test value register.

#### More information

- [Test value registers \(page 90\)](#)

### A.3.2 16-bit integer format

Some 16-bit integer values in the data registers are scaled to include the necessary decimals. The scaling factors for those values are shown in the register tables.



Table 40 Interpretation of 16-bit signed integer values

Value (decimal)	Value (hexadecimal)	Description
0 ... 32766	0000 <sub>hex</sub> ... 7FFE <sub>hex</sub>	Value in range 0 ... 32766
32767	7FFF <sub>hex</sub>	Value is 32767 or larger
32768	8000 <sub>hex</sub>	Value is not available
32769	8001 <sub>hex</sub>	Value is -32767 or smaller
32770 ... 65535	8002 <sub>hex</sub> ... FFFF <sub>hex</sub>	Value in range -32766 ... -1 (2's complement)

## A.4 Modbus registers

Registers are numbered in decimal, starting from 1. Register addresses in actual Modbus messages (Modbus Protocol Data Unit (PDU)) are in hexadecimal and start from zero. Register number 1 corresponds to address 0<sub>hex</sub> in the actual Modbus message.



**CAUTION!** Reading the wrong register(s) may result in correct-looking values. Check the reference documentation of your Modbus host (PLC) to verify which notation it uses for Modbus register addresses.

### A.4.1 Measurement data registers

Table 41 Modbus measurement data registers (read-only)

Register number	Address	Register description	Data format	Unit
<b>Floating point values</b>				
1	0000 <sub>hex</sub>	Relative humidity	32-bit float	%RH
	0001 <sub>hex</sub>			
3	0002 <sub>hex</sub>	Temperature <sup>1)</sup>	32-bit float	°C
	0003 <sub>hex</sub>			
9	0008 <sub>hex</sub>	Dew/frost point temperature	32-bit float	°C
	0009 <sub>hex</sub>			
15	000E <sub>hex</sub>	Absolute humidity	32-bit float	g/m <sup>3</sup>
	000F <sub>hex</sub>			

Register number	Address	Register description	Data format	Unit
17	0010 <sub>hex</sub>	Mixing ratio	32-bit float	g/kg
	0011 <sub>hex</sub>			
19	0012 <sub>hex</sub>	Wet-bulb temperature	32-bit float	°C
	0013 <sub>hex</sub>			
27	001A <sub>hex</sub>	Enthalpy	32-bit float	kJ/kg
	001B <sub>hex</sub>			
<b>Integer values</b>				
257	0100 <sub>hex</sub>	Relative humidity	16-bit integer	%RH * 10
258	0101 <sub>hex</sub>	Temperature <sup>1)</sup>	16-bit integer	°C * 10
261	0104 <sub>hex</sub>	Dew/frost point temperature	16-bit integer	°C * 10
264	0107 <sub>hex</sub>	Absolute humidity	16-bit integer	g/m <sup>3</sup> * 10
265	0108 <sub>hex</sub>	Mixing ratio	16-bit integer	g/kg * 10
266	0109 <sub>hex</sub>	Wet-bulb temperature	16-bit integer	°C * 10
270	010D <sub>hex</sub>	Enthalpy	16-bit integer	kJ/kg * 10

1) Only temperature output is available in probe model HMP110T.

### A.4.2 Configuration registers

Table 42 Modbus configuration data registers (writable)

Register number	Register address	Register description	Data format	Unit / Valid range
<b>Filtering</b>				
785	0310 <sub>hex</sub>	Measurement filtering factor	32-bit float	0.001 (maximum filtering) ... 1.000 (no filtering)
	0311 <sub>hex</sub>			
<b>Communication</b>				
1537	0600 <sub>hex</sub>	Modbus address	16-bit integer	1 ... 247
1538	0601 <sub>hex</sub>	Bit rate <sup>1)</sup>	16-bit integer	5 = 9600 6 = 19200 7 = 38400 8 = 57600

Register number	Register address	Register description	Data format	Unit / Valid range
1539	0602 <sub>hex</sub>	Parity, data, stop bits <sup>1)</sup>	16-bit integer	0 = None, 8, 1 1 = None, 8, 2 2 = Even, 8, 1 3 = Even, 8, 2 4 = Odd, 8, 1 5 = Odd, 8, 2
1540	0603 <sub>hex</sub>	Response delay	16-bit integer	0 ... 1020 ms
1541	0604 <sub>hex</sub>	Protocol	16-bit integer	6 = Modbus RTU
1542	0605 <sub>hex</sub>	Restart device	16-bit integer	When writing to register: 1 = Restart the device

1) Changed setting will be activated on device restart.



If incompatible settings/protocol are selected and the probe is then restarted, it might no longer be possible to communicate with the probe using Modbus. You can override invalid communication settings in Vaisala Insight software, **Settings** menu. See [Vaisala Insight software \(page 31\)](#).

### A.4.3 Status registers

Table 43 Modbus status data registers (read-only)

Register number	Address	Register description	Data format	Note
513	0200 <sub>hex</sub>	Error status	16-bit integer	0000 <sub>hex</sub> : One or more errors active 0001 <sub>hex</sub> : No errors
516	0203 <sub>hex</sub>	Error code	32-bit integer	
	0204 <sub>hex</sub>			
518	0205 <sub>hex</sub>	Security hash	32-bit integer	Security hash changes when any change is made to device settings or adjustments, but also returns back to the previous value if such changes are reverted completely.
	0206 <sub>hex</sub>			

Table 44 Error codes on Modbus interface

Error code register value	Corresponding error
1	Temperature measurement error. [44]
2	Humidity measurement error. [45]
4	Humidity sensor failure. [46]
8	Capacitance reference error. [47]
16	Ambient temperature out of range. [48]
32	Firmware checksum mismatch. [49]
64	Device settings corrupted. [50]
128	Additional configuration settings corrupted. [51]
256	Sensor coefficients corrupted. [52]
512	Main configuration settings corrupted. [53]
2048	Supply voltage out of range. [55]
8192	Non-volatile memory read/write failure. [57]
16384	Calibration certificate checksum mismatch. [58]

If several errors are active at the same time, the Modbus error code register contains the sum of currently active error codes.

Refer to [Error messages in Insight software \(page 67\)](#) for more information about the error states.

### A.4.4 Test value registers

Read the known test values from the test registers to verify the functionality of your Modbus implementation.

Table 45 Modbus test registers (read-only)

Register number	Register address	Register description	Data format	Test value
7937	1F00 <sub>hex</sub>	Signed integer test	16-bit integer	-12345
7938	1F01 <sub>hex</sub>	Floating point test	32-bit float	-123.45
	1F02 <sub>hex</sub>			

Register number	Register address	Register description	Data format	Test value
7940	1F03 <sub>hex</sub>	Text string test	text	Text string "-123.45"
	1F04 <sub>hex</sub>			
	1F05 <sub>hex</sub>			
	1F06 <sub>hex</sub>			

## A.5 Device identification objects

Table 46 Device identification objects

Object ID	Object ID (hexadecimal)	Object name	Example contents
0	00 <sub>hex</sub>	VendorName	"Vaisala"
1	01 <sub>hex</sub>	ProductCode	"HMP113"
2	02 <sub>hex</sub>	MajorMinorVersion	"2.4.0" Software version of the device.
3	03 <sub>hex</sub>	VendorUrl	"http://www.vaisala.com"
4	04 <sub>hex</sub>	ProductName	"Vaisala HUMICAP(R) Humidity and Temperature Probe HMP113"
5	05 <sub>hex</sub>	ModelName	"R00A0C1A0" Configuration code of the device. Length and content of the code are model-specific.
128	80 <sub>hex</sub>	SerialNumber <sup>1)</sup>	"J1140501"
129	81 <sub>hex</sub>	CalibrationDate <sup>1)</sup>	"2020-06-01" Calibration date in YYYY-MM-DD format. Empty string if not set/valid.
130	82 <sub>hex</sub>	CalibrationText <sup>1)</sup>	"Vaisala/HEL" Calibration information text. Empty string if not set/valid.

1) Vaisala-specific device information object

## A.6 Modbus communication examples

### Reading relative humidity value




The device address used in the following examples is 240 (F0<sub>hex</sub>).  
 The values returned by the device change depending on ambient conditions and/or device settings.

Request		Response	
Bytes on the line (hexadecimal)	Description	Bytes on the line (hexadecimal)	Description
(silence for 3.5 bytes)	Start of Modbus RTU frame	(silence for 3.5 bytes)	Start of Modbus RTU frame
F0 <sub>hex</sub>	Probe address	F0 <sub>hex</sub>	Probe address
03 <sub>hex</sub>	Function (Read Holding Registers)	03 <sub>hex</sub>	Function (Read Holding Registers)
00 <sub>hex</sub>	Register address	04 <sub>hex</sub>	Number of data bytes
00 <sub>hex</sub>		7A <sub>hex</sub>	Value of first register (least significant word)
00 <sub>hex</sub>	Number of 16-bit registers to read (2)	E1 <sub>hex</sub>	
02 <sub>hex</sub>		41 <sub>hex</sub>	Value of second register (most significant word)
D1 <sub>hex</sub>	Modbus RTU checksum	F4 <sub>hex</sub>	Modbus RTU checksum
2A <sub>hex</sub>			
(silence for 3.5 bytes)	End of Modbus RTU frame	05 <sub>hex</sub>	
		(silence for 3.5 bytes)	End of Modbus RTU frame

Communication description	
Register number	1 (1-based Modbus register number) = address 0000 <sub>hex</sub> (0-based address used in actual communication).
Data format	Two 16-bit Modbus registers interpreted as IEEE 754 binary32 floating point value, least significant word first.
Returned value	41F47AE1 <sub>hex</sub> , which is binary32 representation of 30.56 (%RH).

## Writing filtering factor value

Request		Response	
Bytes on the Line (Hexadecimal)	Description	Bytes on the Line (Hexadecimal)	Description
(silence for 3.5 bytes)	Start of Modbus RTU frame	(silence for 3.5 bytes)	Start of Modbus RTU frame
F0 <sub>hex</sub>	Transmitter address	F0 <sub>hex</sub>	Transmitter address
10 <sub>hex</sub>	Function (Write Multiple Registers)	10 <sub>hex</sub>	Function (Write Multiple Registers)
03 <sub>hex</sub>	Register address	03 <sub>hex</sub>	Register address
10 <sub>hex</sub>			
00 <sub>hex</sub>	Number of registers to write (2)	00 <sub>hex</sub>	Number of 16-bit registers written (2)
02 <sub>hex</sub>			
04 <sub>hex</sub>	Number of data bytes	55 <sub>hex</sub>	Modbus RTU checksum
CC <sub>hex</sub>	Value for the first register (least significant word)	68 <sub>hex</sub>	
CD <sub>hex</sub>		(silence for 3.5 bytes)	End of Modbus RTU frame
3E <sub>hex</sub>	Value for the second register (most significant word)	 The response to a write function informs that the function was correctly received by the device. It does not guarantee that the written value was accepted by the device (for example, in case of out-of-range values). To verify that the value was really accepted by the device, read the register value after writing.	
4C <sub>hex</sub>			
5E <sub>hex</sub>	Modbus RTU checksum		
96 <sub>hex</sub>			
(silence for 3.5 bytes)	End of Modbus RTU frame		

Communication description	
Register number	785 (1-based Modbus register number) = address 0310 <sub>hex</sub> (0-based address used in actual communication).
Data format	Two 16-bit Modbus registers interpreted as IEEE 754 binary32 floating point value, least significant word first.
Value to write	0.2, in binary32 format 3E4CCCCD <sub>hex</sub> .





## Maintenance and calibration services



Vaisala offers comprehensive customer care throughout the life cycle of our measurement instruments and systems. Our factory services are provided worldwide with fast deliveries. For more information, see [www.vaisala.com/calibration](http://www.vaisala.com/calibration).

- Vaisala Online Store at [store.vaisala.com](http://store.vaisala.com) is available for most countries. You can browse the offering by product model and order the right accessories, spare parts, or maintenance and calibration services.
- To contact your local maintenance and calibration expert, see [www.vaisala.com/contactus](http://www.vaisala.com/contactus).

## Warranty

For standard warranty terms and conditions, see [www.vaisala.com/warranty](http://www.vaisala.com/warranty).

Please observe that any such warranty may not be valid in case of damage due to normal wear and tear, exceptional operating conditions, negligent handling or installation, or unauthorized modifications. Please see the applicable supply contract or Conditions of Sale for details of the warranty for each product.

## Technical support



Contact Vaisala technical support at [helpdesk@vaisala.com](mailto:helpdesk@vaisala.com). Provide at least the following supporting information as applicable:

- Product name, model, and serial number
- Software/Firmware version
- Name and location of the installation site
- Name and contact information of a technical person who can provide further information on the problem

For more information, see [www.vaisala.com/support](http://www.vaisala.com/support).

## Recycling



Recycle all applicable material.



Follow the statutory regulations for disposing of the product and packaging.

**VAISALA**

[www.vaisala.com](http://www.vaisala.com)

