



## GWMC SERIES IN LINE LOAD CELL 10kN - 50kN (METRIC)

The GWMC Miniature Threaded In Line Load Cells are strain gauge based transducers with temperature compensation and excellent overall performance. This type measures tensile and compressive loads up to 50kN with better than  $\pm 0.5\%$  non-linearity.

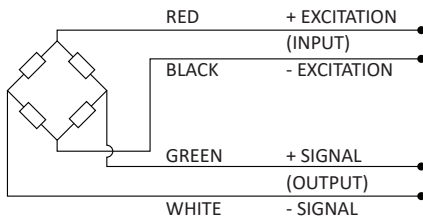
### STANDARD CONFIGURATION



**Model GWMC-50kN-N-3 (Shown)**

### WIRING DIAGRAM

- This sensor is provided with 4x28 AWG wiring within a braided shielded cable (overall cable length 2m)
- 6-wire cable is available to order



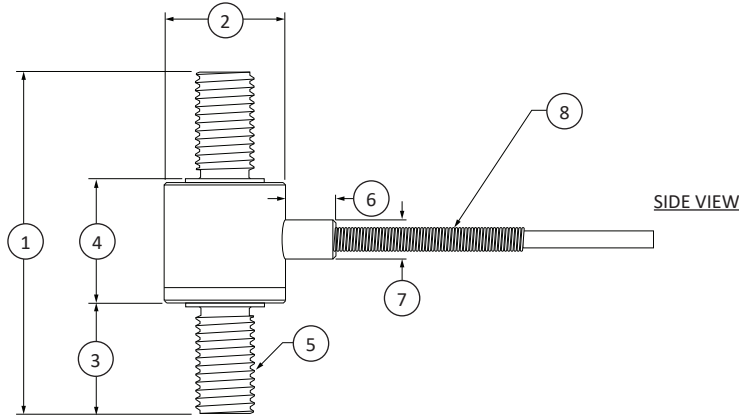
### SPECIFICATIONS

PARAMETER	RANGE	NOTES
Capacity	10kN, 20kN & 50kN	With metric threads as standard
Rated Output (RO)	2mV/V nominal	
Allowable maximum load	150% full scale	No effect on performance
Non-linearity	$\pm 0.5\%$ of RO MAX	
Hysteresis	$\pm 0.5\%$ of RO MAX	
Repeatability	$\pm 0.1\%$ of RO MAX	
Zero balance	5% of RO MAX	
Zero temp coefficient	0.02% FS / °C	
Span temp coefficient	0.02% FS / °C	
Compensated temperature range	-15 °C TO 70 °C	Wider range available to order
Operating temperature range	-20 °C TO 80 °C	Wider range available to order
IP Rating	IP64	
Bridge resistance	350 ohm nominal	
Excitation	5v Recommended, 10v Max	

\* All dimensions are in mm.

\*\* This product is not available in the United States.

# GWMC SERIES IN LINE LOAD CELL 10kN - 50kN (METRIC)



## DIMENSIONS

Capacity	(1)	(2)	(3)	(4)	(5)	(6)	(7)	(8)
10kN	38.10	Ø24.80	10.65	17.55	M10x1.5-6g x 2	10.40	Ø8.00	Strain Relief Spring
20kN	70.40	Ø24.80	22.85	25.45	M12x1.75-6g x 2	10.40	Ø8.00	Strain Relief Spring
50kN	70.40	Ø28.30	22.10	26.20	M16x2.0-6g x 2	10.40	Ø8.00	Strain Relief Spring

\* All dimensions are in mm.  
 \*\* This product is not available in the United States.

+ Output (Tension)  
 - Output (Compression)



GWMC Series In Line Load Cell 10kN - 50kN v1.0 07-16-2020