

## GMP252 Carbon Dioxide Probe

For ppm-level measurements



### Features

- Measurement range  
0 ... 10 000 ppm CO<sub>2</sub>
- Intelligent, stand-alone probe with analog and digital outputs
- Compatible with Indigo transmitters and Insight PC software
- Wide operating temperature range, -40 ... +60 °C (-40 ... +140 °F)
- IP65-classified housing
- Integrated temperature measurement for CO<sub>2</sub> compensation purposes
- Compensations also for pressure, oxygen, and humidity
- Sensor head heated to prevent condensation

Vaisala CARBOCAP® Carbon Dioxide Probe GMP252 is a new intelligent probe for measuring carbon dioxide. This robust, standalone measurement device is designed for use in agriculture, refrigeration, greenhouses, and demanding HVAC applications.

### Benefits

- Superior long-term stability
- Reliable and accurate
- Calibration certificate included

GMP252 is suitable for harsh and humid CO<sub>2</sub> measurement environments where stable and accurate ppm-level CO<sub>2</sub> measurements are needed. GMP252 is based on Vaisala's patented, latest-generation CARBOCAP technology that enables exceptional stability. A new type of infrared (IR) light source is used instead of the traditional incandescent light bulb, which extends the lifetime of GMP252.

GMP252 incorporates an internal temperature sensor for compensation of the CO<sub>2</sub> measurement according to ambient temperature. The effects of pressure and background gas can also be compensated for. The measurement

range is 0 ... 10 000 ppm CO<sub>2</sub> (measurements up to 30 000 ppm CO<sub>2</sub> are available with reduced accuracy). The operating temperature range of the probe is wide (-40 ... +60 °C (-40 ... +140 °F)), and the probe housing is classified as IP65. Condensation is prevented as the internal sensor head is heated.

GMP252 is resistant to dust and most chemicals, such as, H<sub>2</sub>O<sub>2</sub> and alcohol-based cleaning agents.

### Ease of use

GMP252 is a compact probe with easy and fast plug-in, plug-out installation. The surface of the probe is smooth, which makes it easy to clean. The probe provides several output options, including analog current and voltage outputs and digital RS-485 output with Modbus® protocol.

GMP252 can be connected to Indigo series transmitters for an extended selection of outputs and configuration options. See [www.vaisala.com/indigo](http://www.vaisala.com/indigo). For easy-to-use access to field calibration, device analytics, and configuration functionality, the probe can be connected to Vaisala Insight PC software. See [www.vaisala.com/insight](http://www.vaisala.com/insight).

### Applications

GMP252 is ideal for agriculture, refrigeration, greenhouses, and demanding HVAC applications where stable and accurate ppm-level CO<sub>2</sub> measurements are needed.

A flow-through adapter with gas ports is available as an accessory, enabling tubing for easy and flexible remote measurement with a separate pump. A multiplexer can also be added for sampling gas from several locations. <sup>1)</sup>

<sup>1)</sup> Third-party pump and multiplexer not provided by Vaisala.

# Technical data

## Measurement performance

Measurement range	0 ... 10 000 ppm CO <sub>2</sub> (up to 30 000 ppm CO <sub>2</sub> with reduced accuracy)
<b>Accuracy</b> <sup>1)</sup>	
0 ... 3000 ppm CO <sub>2</sub>	±40 ppm CO <sub>2</sub>
3000 ... 10 000 ppm CO <sub>2</sub>	±2 % of reading
Up to 30 000 ppm CO <sub>2</sub>	±3.5 % of reading
<b>Calibration uncertainty</b>	
at 2000 ppm CO <sub>2</sub>	±31 ppm CO <sub>2</sub>
at 10 000 ppm CO <sub>2</sub>	±105 ppm CO <sub>2</sub>
<b>Long-term stability</b>	
0 ... 3000 ppm CO <sub>2</sub>	±60 ppm CO <sub>2</sub> /year
3000 ... 6000 ppm CO <sub>2</sub>	±150 ppm CO <sub>2</sub> /year
6000 ... 10 000 ppm CO <sub>2</sub>	±300 ppm CO <sub>2</sub> /year
<b>Temperature dependence 0 ... 10 000 ppm CO<sub>2</sub></b>	
With compensation, -10 ... +50 °C	±0.05 % of reading/°C
With compensation, -40 ... +60 °C	< ±0.1 % of reading/°C
Without temperature compensation at 2000 ppm CO <sub>2</sub> (typical)	-0.5 % of reading/°C
<b>Pressure dependence</b>	
With compensation at 0 ... 10 000 ppm CO <sub>2</sub> , 500 ... 1100 hPa	±0.015 % of reading/hPa
Without compensation (typical)	+0.15 % of reading/hPa
<b>Humidity dependence</b>	
With compensation, 0 ... 10 000 ppm CO <sub>2</sub> , 0 ... 100 %RH	±0.7 % of reading (at +25 °C (+77 °F))
Without compensation (typical)	+0.05 % of reading/%RH
<b>O<sub>2</sub> dependence</b>	
With compensation, 0 ... 10 000 ppm %CO <sub>2</sub> , 0 ... 90 %O <sub>2</sub>	±0.6 % of reading (at +25 °C (+77 °F))
Without compensation (typical)	-0.08 % of reading/%O <sub>2</sub>
<b>Start-up, warm-up, and response time</b>	
Start-up time at +25 °C	< 12 s
Warm-up time for full spec.	< 2 min
Response time (T90):	
With standard filter	< 1 min
Flow-through option with > 0.1 l/min	30 s
With spray shield	< 3 min
<b>Flow rate dependence (for flow-through option)</b>	
< 1 l/min flow	no effect
1 ... 10 l/min flow	< 0.6 % of reading l/min

<sup>1)</sup> At 25 °C and 1013 hPa (incl. repeatability and non-linearity).

## Inputs and outputs

Analog outputs	<ul style="list-style-type: none"> <li>0 ... 5/10 V (scalable), min. load 10 kΩ</li> <li>0/4 ... 20 mA (scalable), max. load 500 Ω</li> </ul>
Digital output	Over RS-485: <ul style="list-style-type: none"> <li>Modbus</li> <li>Vaisala Industrial Protocol</li> </ul>
<b>Operating voltage</b>	
With digital output in use	12 ... 30 V DC
With voltage output in use	12 ... 30 V DC
With current output in use	20 ... 30 V DC
<b>Power consumption</b>	
Typical (continuous operation)	0.4 W
Maximum	0.5 W

## Operating environment

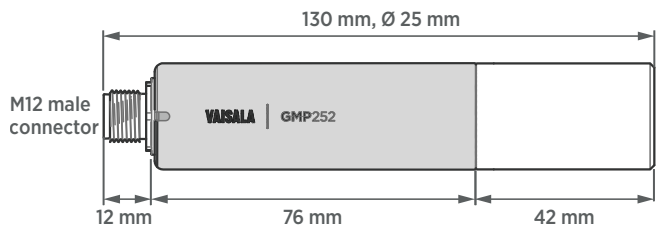
Operating temperature of CO <sub>2</sub> measurement	-40 ... +60 °C (-40 ... +140 °F)
Storage temperature	-40 ... +70 °C (-40 ... +158 °F)
Humidity	0 ... 100 %RH, non-condensing
Condensation prevention	Sensor head heating when power on
IP rating, probe body	IP65
Chemical tolerance (temporary exposure during cleaning)	<ul style="list-style-type: none"> <li>H<sub>2</sub>O<sub>2</sub> (2000 ppm, non-condensing)</li> <li>Alcohol-based cleaning agents (for example ethanol and IPA)</li> <li>Acetone</li> <li>Acetic acid</li> </ul>
<b>Pressure</b>	
Compensated	500 ... 1100 hPa
Operating	< 1.5 bar
<b>Gas flow (for flow-through option)</b>	
Operating range	< 10 l/min
Recommended range	0.1 ... 0.8 l/min

## Compliance

EU directives	EMC, RoHS
EMC compatibility	EN 61326-1, basic electromagnetic environment
Compliance marks	CE, RCM, WEEE

## Mechanical specifications

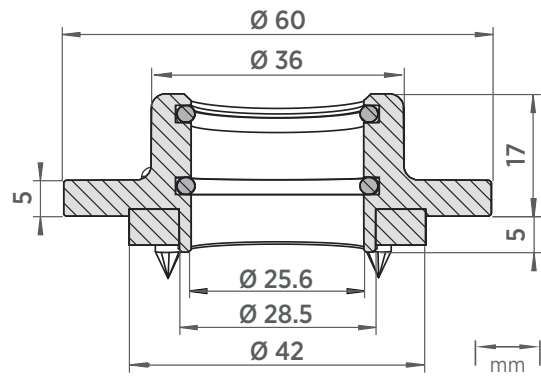
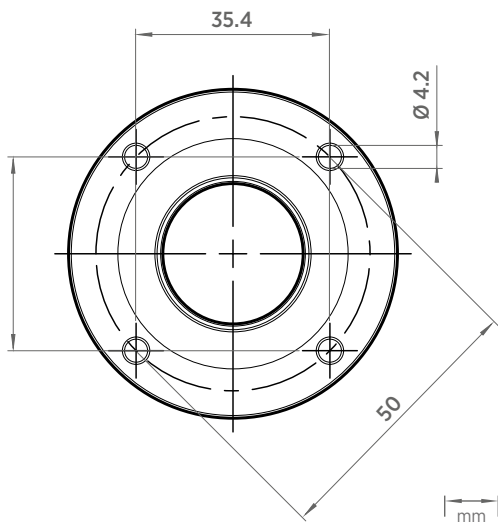
Weight, probe	58 g (2.05 oz)
Connector type	M12 5-pin male
<b>Materials</b>	
Probe housing	PBT polymer
Filter	PTFE
Connector	Nickel plated brass
<b>Dimensions</b>	
Probe diameter	25 mm (0.98 in)
Probe length	130 mm (5.12 in)



## Spare parts and accessories

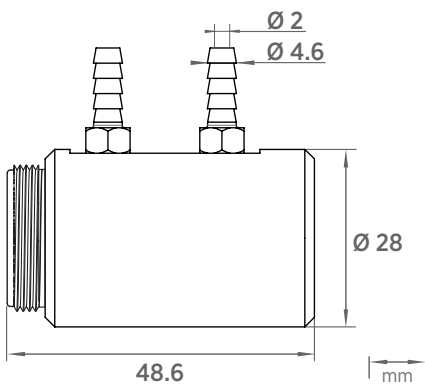
Porous sintered PTFE filter for GMP252	DRW244221SP
Probe cable with open wires (1.5 m)	223263SP
Probe cable with open wires (1.5 m), shielded	254294SP
Probe cable with open wires (3 m)	26719SP
Probe cable with open wires (10 m)	216546SP
Probe cable with open wires and 90° plug (0.6 m)	244669SP
Probe cable with open wires and 90° plug (1.5 m)	255102
Flow-through adapter with gas ports	ASM212011SP
Indigo USB adapter <sup>1)</sup>	USB2
M170 connection cable for probe	CBL210472
Flat cable for GMP250 probes, M12 5-pin	CBL210493SP
Probe mounting clips (2 pcs)	243257SP
Probe mounting flange	243261SP
Calibration adapter	DRW244827SP
Spray shield	ASM212017SP
Radiation shield DTR250	DTR250
Radiation shield DTR250 with pole mounting kit	DTR250A

<sup>1)</sup> Vaisala Insight software for Windows is available at [www.vaisala.com/insight](http://www.vaisala.com/insight).



Probe mounting flange cross section

Dimensions of probe mounting flange (243261SP)



Flow-through adapter with gas ports (ASM212011SP). Suitable for tubes with 4 mm inner diameter.



tel: +34 915 679 700  
[www.alavaingenieros.com](http://www.alavaingenieros.com) | [alava@grupoalava.com](mailto:alava@grupoalava.com)



[www.vaisala.com](http://www.vaisala.com)

Published by Vaisala | B211567EN-F © Vaisala 2021

All rights reserved. Any logos and/or product names are trademarks of Vaisala or its individual partners. Any reproduction, transfer, distribution or storage of information contained in this document is strictly prohibited. All specifications – technical included – are subject to change without notice.