

BPL BRAKE PEDAL LOAD CELL (U.S. & METRIC)

FEATURES & BENEFITS

- Lowest nonlinearity and hysteresis of any brake pedal load cell – < 0.05%
- Ultra low height
- Low sensitivity to off-center loads – < 1.0% / in
- Mounts directly to pedal with included strap(s)
- Interchangeable mounting plates
- Storage case included
- For use with gas, brake or clutch pedal
- Storage case included

SPECIFICATIONS

ACCURACY – (MAX ERROR)		
Static Error Band		±0.05
Nonlinearity – %FS		±0.05
Hysteresis – %FS		±0.05
Nonrepeatability – %RO		±0.02
Creep, in 20 min – %		±0.05
Eccentric Load Sensitivity – % / in		±1
TEMPERATURE		
Compensated Range	°F	+15 to +115
	°C	-10 to +45
Operating Range	°F	-65 to +200
	°C	-55 to +90
Effect on Output – % / deg	°F	±0.001
Effect on Zero – %RO / deg	°F	±0.002
ELECTRICAL		
Rated Output – mV/V (Nominal)		2.0
Zero Balance – %RO		±1.0
Bridge Resistance – Ohm (Nominal)		700
Excitation Voltage – VDC	MAX	15
	Nominal	10
Insulation Resistance – Megohm		> 5000
Deflection at Capacity	in	0.002
	mm	0.051
MECHANICAL		
Calibration		Compression
Safe Overload – %CAP		150
Safe Overload – Side – %CAP		40, any direction
Material		Aluminum

STANDARD CONFIGURATION



Model BPL (Shown)

OPTIONS

- Cable length
- Custom calibration
- Special temperature range
- Add connector to cable
- Standardized output
- Transducer Electronic Data Sheet (TEDS)

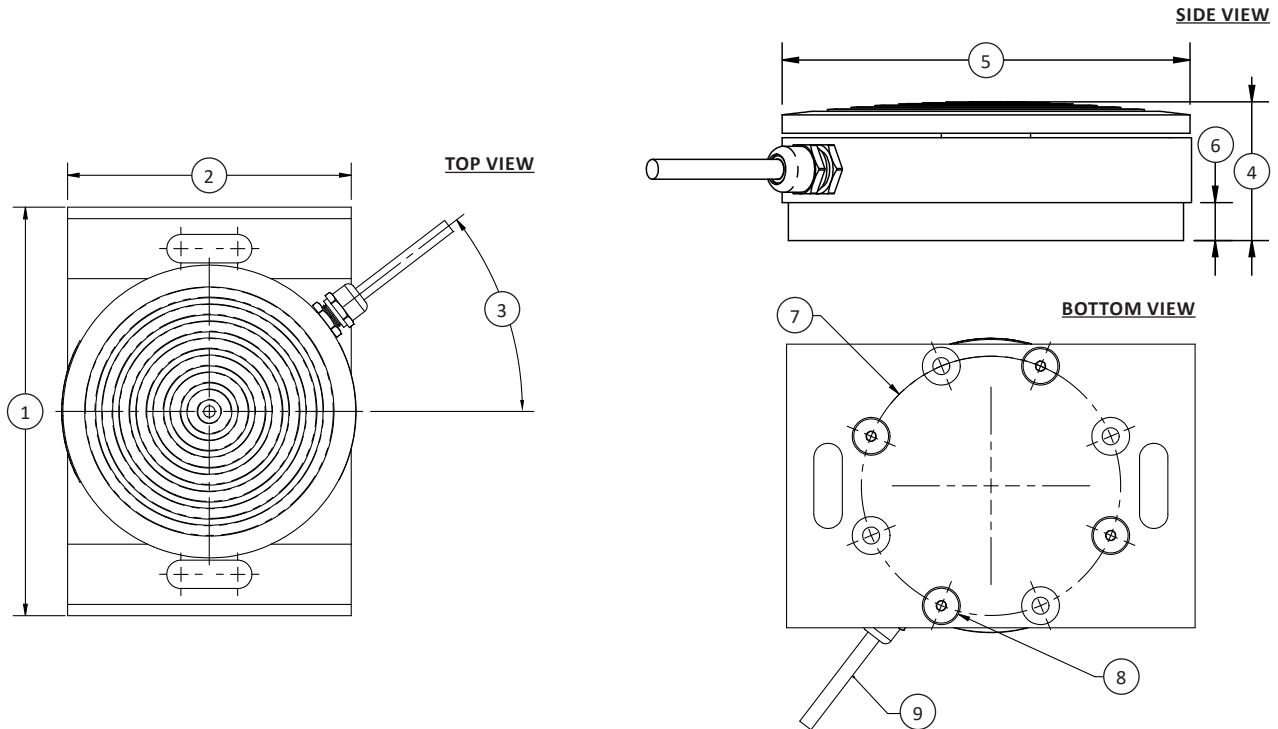
ACCESSORIES

- Instrumentation

CONNECTOR OPTIONS

- 10 ft (3 m) integral cable

BPL PEDAL LOAD CELL (U.S. & METRIC)



DIMENSIONS

See Drawing	CAPACITY	
	U.S. (lbf)	Metric (N)
	50, 100, 200, 300, 500	222, 445, 890, 1.33K, 2.22K
	in	mm
(1)	3.60	91.4
(2)	2.50	63.5
(3)	37.5°	
(4)	0.88	22.3
(5)	Ø2.58	Ø65.5
(6)	0.24	6.1
(7)	Ø2.285	Ø58.04
(8)	4 x 6-32 UNC	
(9)	Ø0.13	Ø3.3

International System of Units (SI) dimensions and capacities are provided for conversion only. Standard products have U.S. capacities and dimensions. SI capacities available upon special request and at an additional cost.