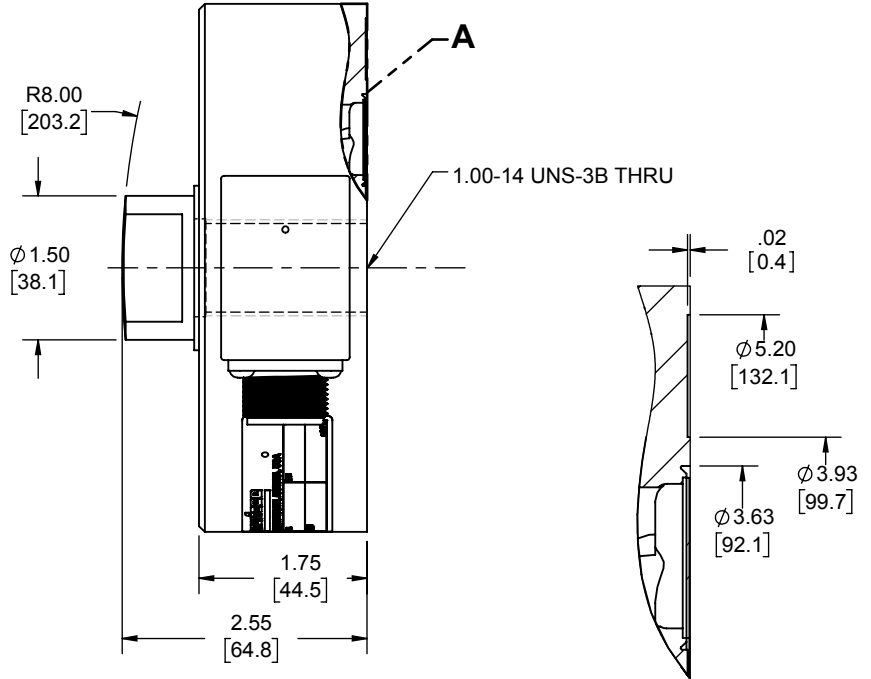
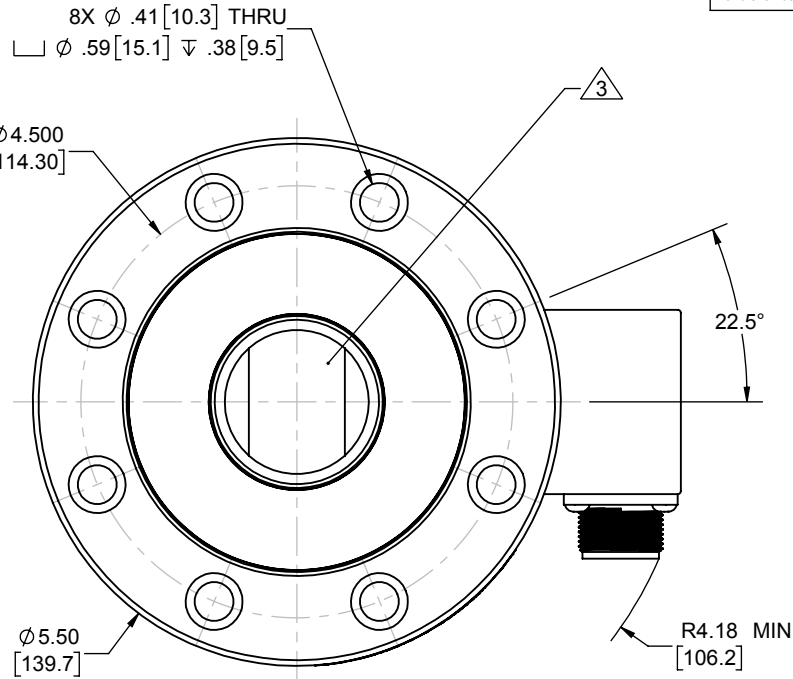


LOAD CELL CHARACTERISTICS	
CAPACITY	10K, 20K (lbf)

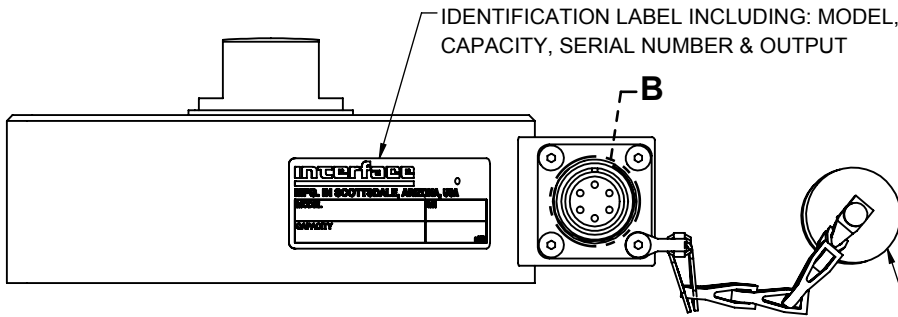
Interface Inc. claims proprietary rights in the information disclosed herein. This drawing is furnished in confidence on the express understanding that neither it nor any reproduction thereof will be disclosed to others or used for the purpose of manufacture or procurement of the article or part shown hereon without written permission of Interface Inc. The drawing shall remain the property of Interface Inc. and shall be returned upon request by Interface Inc.

81338

REVISIONS			
REV.	DESCRIPTION	DATE	APPROVED
A	INITIAL RELEASE	02/26/14	<i>ML</i>
B	ADD LOAD BUTTON AND 20K CAPACITY	04/29/15	LCG
C	UPDATED TO CURRENT STANDARDS	01/26/2017	BB

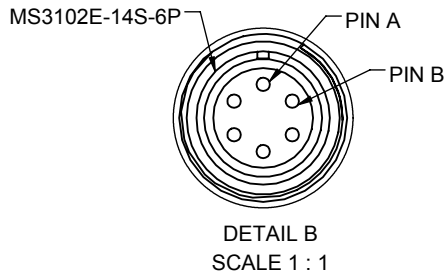


DETAIL A  
SCALE 1 : 1



DUST CAP  
(NOT SHOWN  
IN OTHER VIEWS)

- 3 LOAD BUTTON WRENCH FLATS ALIGNMENT WILL VARY.
- 2 CONNECTOR DUST CAP NOT SHOWN.
- 1. OUTPUT: 2.9 - 3.05 mV/V



DETAIL B  
SCALE 1 : 1

CONNECTOR PINOUT	
PIN	FUNCTION
A	+ EXCITATION
B	+ SENSE
C	- EXCITATION
D	- SENSE
E	+ SIGNAL
F	- SIGNAL

COMPRESSION UPSCALE

Álava Ingenieros  
GRUPO ALAVA

tel: +34 915 679 700  
www.alavaingenieros.com | alava@grupoalava.com

UNLESS OTHERWISE SPECIFIED DIMENSIONS ARE IN INCHES [mm]	
TOLERANCES ARE: ANGLES ± 0° 30'	
.XX	± .01 [0.25]
.XXX	± .005 [0.13]
CREATOR	DATE
DESIGNED: KEN V.	02/20/2014
DETAILED: ALBERT L.	02/20/2014
WEIGHT: (APPROX) 9.8 (lbs)	

<b>interface</b> ADVANCED FORCE MEASUREMENT 7401 E. BUTHERUS DR. SCOTTSDALE, AZ USA 85260	
TITLE: <b>OUTLINE MODEL: 2440 OPT-EUL</b>	
SIZE: A	DWG. NO: <b>81338</b>
SCALE: 1:2	SHEET 1 OF 1
REV: C	