

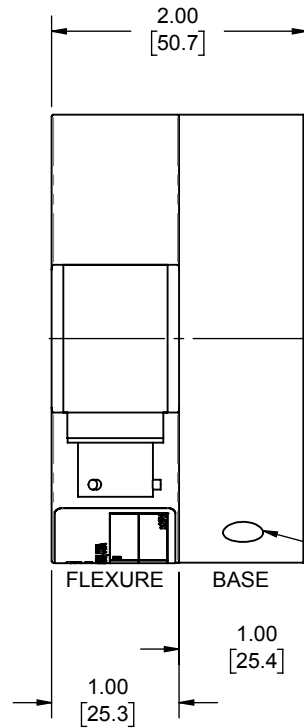
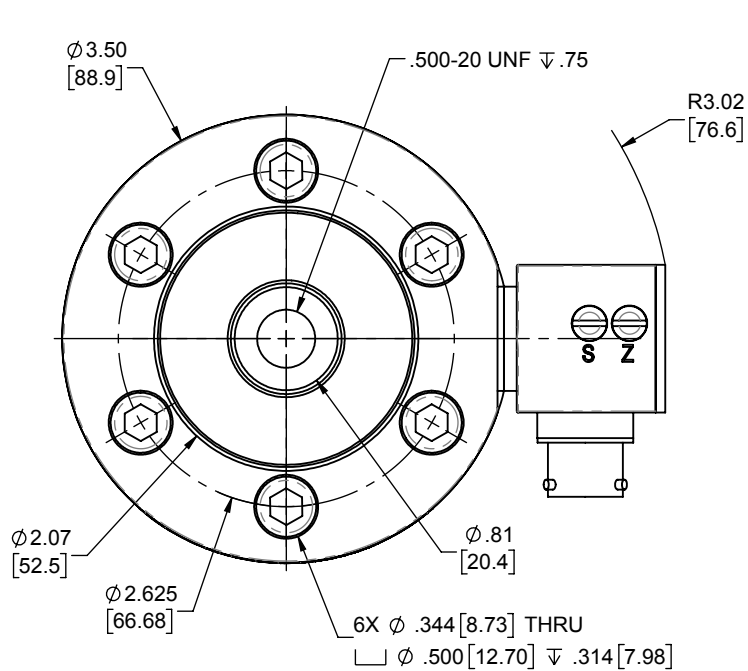
REVISIONS

REV.	DESCRIPTION	DATE	APPROVED
A	INITIAL RELEASE	2/01/05	
B	REDRAWN & UPDATED TO CURRENT STDS	6/05/2017	CS

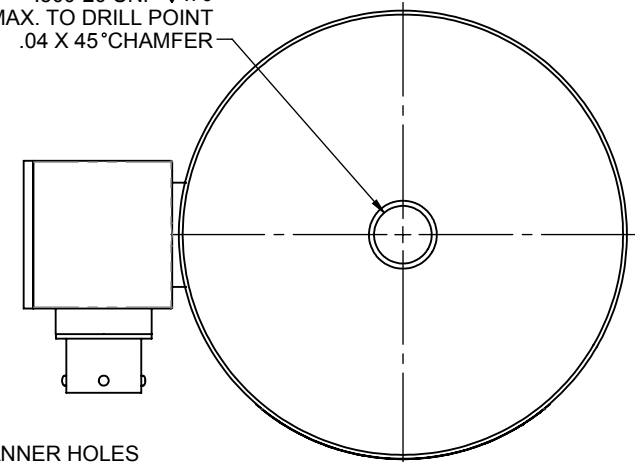
Interface Inc. claims proprietary rights in the information disclosed herein. This drawing is furnished in confidence on the express understanding that neither it nor any reproduction thereof will be disclosed to others or used for the purpose of manufacture or procurement of the article or part shown hereon without written permission of Interface Inc. The drawing shall remain the property of Interface Inc. and shall be returned upon request by Interface Inc.

LOAD CELL CHARACTERISTICS

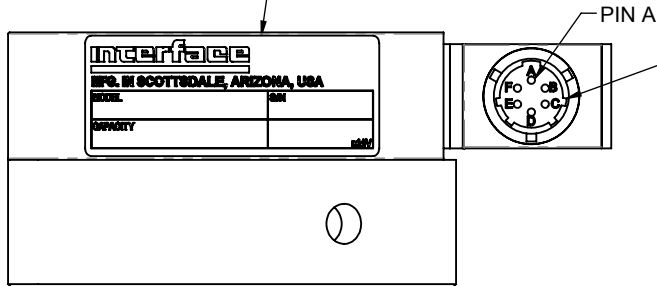
CAPACITY 2K, 5K (lbf)



.500-20 UNF  $\nabla$  .70  
 $\nabla$  .93 MAX. TO DRILL POINT  
 .04 X 45° CHAMFER



IDENTIFICATION LABEL INCLUDING: MODEL, CAPACITY, SERIAL NUMBER & OUTPUT



CONNECTOR: PTWIH-10-6P (304)

1. BASE IS OPTIONAL. MODEL NUMBERS ENDING IN (-B) HAVE A BASE INSTALLED.

CONNECTOR PINOUT	
PIN	FUNCTION
A	+ SUPPLY
B	N/C
C	N/C
D	+ OUTPUT (4-20 mA)
E	CASE GROUND
F	N/C
TENSION UPSCALE	

UNLESS OTHERWISE SPECIFIED  
 DIMENSIONS ARE IN INCHES [mm]  
 TOLERANCES ARE:  
 ANGLES  $\pm$  0° 30'  
 .XX  $\pm$  .01 [0.25]  
 .XXX  $\pm$  .005 [0.13]

**interface**  
 ADVANCED FORCE MEASUREMENT  
 7401 E. BUTHERUS DR. SCOTTSDALE, AZ USA 85260

TITLE:  
**OUTLINE MODEL: 2434**

CREATOR: DATE:  
 DESIGNED:

DETAILED: J.E.P. 1/24/2005  
 WEIGHT: (APPROX) 4.8 (lbs)

SIZE: DWG. NO: **80529** REV: **B**  
 SCALE: 2:3 SHEET 1 OF 1