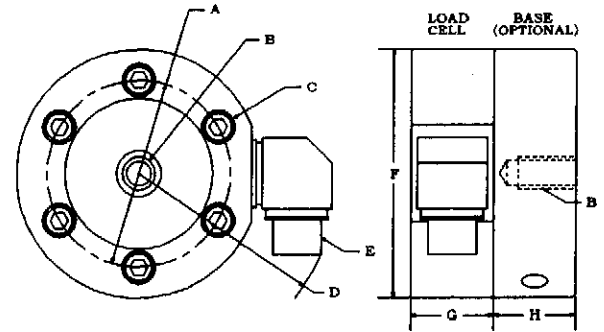


2400 SERIES LOAD CELL INSTALLATION INFORMATION

INSTALLATION DIMENSIONS (inches)

	MODEL SERIES	2420	2430	2440
#	CAPACITIES (lbf)	50, 100, 250, 500, 1K	2K, 3K, 4K, 5K	10K
A	BOLT CIRCLE	2.25	2.63	4.5
B	FLEXURE, BASE THREAD	0.375-24 UNF	0.500-20 UNF	1-14 UNS
C	MOUNTING SHCSs (GRADE 8 ALLOY)	6 @ 0.250-28 UNF X 1.25	6 @ 0.313-24 UNF X 1.25	8 @ 0.375-24 UNF X 2.00
D	CLEARANCE	2.43	2.68	4.10
E	CONNECTOR	PTWIH-10-6P	PTWIH-10-6P	MS3102E-14S-6P
F	OUT. DIAMETER	3.00	3.50	5.50
G	FLEX. HEIGHT	1.00	1.00	1.80
H	BASE HEIGHT	1.00	1.00	1.50



ELECTRICAL INFORMATION

CONNECTOR PINOUTS	A	B	C	D	E	F
TENSION UPSCALE	+ EXCITATION	+ SENSE	- EXCITATION	- SENSE	- OUTPUT	+OUTPUT

APPLICATION NOTES

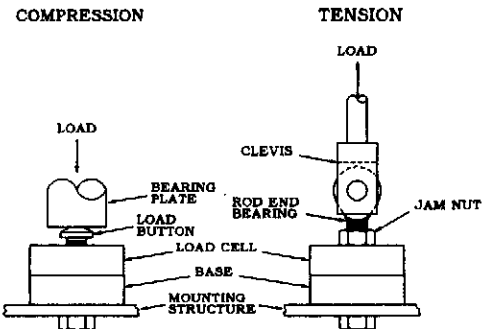
1. MOUNTING TORQUE SPECIFICATIONS

MODEL SERIES	2420	2430	2440
CAPACITIES (lbf)	50, 100, 250, 500, 1K	2K, 3K, 4K, 5K	10K
HUB TORQUE (in-lb)	150	500	1200
MOUNTING SCREW TORQUE (in-lb)	120	300	600

2. RECOMMENDED INSTALLATIONS

Interface 2400 Series Load Cells must be mounted to an Interface supplied base or on a hardened surface that is flat to 0.0002 inch.

Grade 8 SHCSs, jam nuts, load buttons and other mounting hardware must be tightened per the mounting torque specifications.



Rod end bearings or threaded adapters should have smooth threads and Class 3 fit. Use of jam nuts is recommended for applications in tension.

The outer rim or base of the load cell and connected cable should be mounted to a fixed or non-moving structure.

PERFORMANCE DATA

Rated Output-mV/V Nominal	3.00
Input Resistance-ohms	350+/-3.5
Output Resistance-ohms	350+/-3.5
Recommended Excitation-VDC	10
Nonlinearity-% Full Scale	+/-0.10
Hysteresis-% Full Scale	+/-0.08
Compensated Temperature Range	15 - 115 °F
Temperature Effect on Zero-% Rated Output/100 °F	<±0.20

2400 MODEL LOAD CELL

INTERFACE, INC.
 7401 E. BUTHERUS DR.
 Scottsdale, Arizona 85260 U.S.A.
 Telephone: (480) 948-5555 • Fax: (480) 948-1924