

**LOAD CELL CHARACTERISTICS**

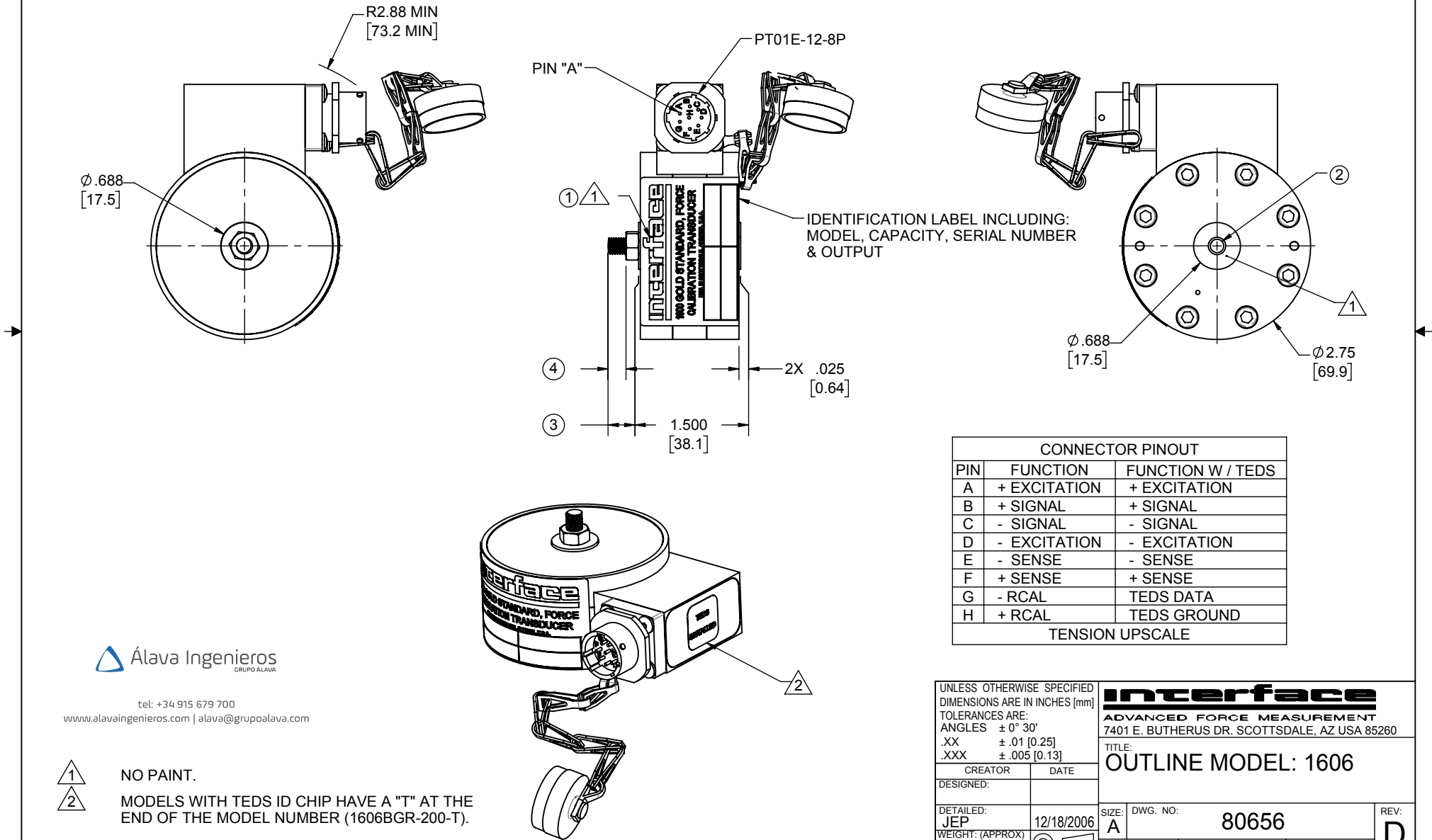
#	CAPACITY	US CAPACITIES	SI CAPACITIES
		50, 100, 200, 300 (lbf)	250, 500, 1000, 1500 (kN)
1	FLEXURE THREAD	.25-28 UNF-3A	M6 X 1-5g6g
2	BASE THREAD, DEPTH	.25-28 UNF-2B X 0.25	M6 X 1-4H5H X 6.4
3	THREADED SHAFT HEIGHT	.41 [10.4]	.45 [11.4]
4	THREAD LENGTH	.25 [6.4]	.25 [6.4]

Interface Inc. claims proprietary rights in the information disclosed herein. This drawing is furnished in confidence on the express understanding that neither it nor any reproduction thereof will be disclosed to others or used for the purpose of manufacture or procurement of the article or part shown herein without written permission of Interface Inc. The drawing shall remain the property of Interface Inc. and shall be returned upon request by Interface Inc.

**80656**

**REVISIONS**

REV.	DESCRIPTION	DATE	APPROVED
A	INITIAL RELEASE	12/27/06	
B	REMOVE U.S. CAPACITY 25	01/15/07	
C	REDRAWN, UPDATED LABEL, ADDED TEDS LABEL & FUNCTIONS TO CONNECTOR OUTPUT, REVISED NOTES 1 & 2	02/17/16	LCG
D	ADDED ITEMS 3 & 4 TO LOAD CELL CHAR, REMOVED .29 [7.5] & .45 [11.4]	04/06/2017	AL



CONNECTOR PINOUT		
PIN	FUNCTION	FUNCTION W / TEDS
A	+ EXCITATION	+ EXCITATION
B	+ SIGNAL	+ SIGNAL
C	- SIGNAL	- SIGNAL
D	- EXCITATION	- EXCITATION
E	- SENSE	- SENSE
F	+ SENSE	+ SENSE
G	- RCAL	TEDS DATA
H	+ RCAL	TEDS GROUND

TENSION UPSCALE

UNLESS OTHERWISE SPECIFIED  
DIMENSIONS ARE IN INCHES [mm]  
TOLERANCES ARE:  
ANGLES ± 0° 30'  
.XX ± .01 [0.25]  
.XXX ± .005 [0.13]

CREATOR: JEP  
DATE: 12/18/2006

DESIGNED: JEP  
WEIGHT: (APPROX) 1 (lbs)

**interface**  
ADVANCED FORCE MEASUREMENT  
7401 E. BUTHERUS DR. SCOTTSDALE, AZ USA 85260

TITLE:  
**OUTLINE MODEL: 1606**

SIZE: A DWG. NO.: **80656** REV: **D**

SCALE: 1:2 SHEET 1 OF 1

**Alava Ingenieros**  
GRUPO ALAVA

tel: +34 915 679 700  
www.alavaingenieros.com | alava@grupoolava.com

1 NO PAINT.  
2 MODELS WITH TEDS ID CHIP HAVE A "T" AT THE END OF THE MODEL NUMBER (1606BGR-200-T).