

1500 STANDARD LOW CAPACITY LOAD CELL (U.S. & METRIC)

FEATURES & BENEFITS

- Capacities from 25 to 300 lbf (125 to 1500 kN)
- Proprietary Interface temperature compensated strain gages
- Performance to 0.05%
- Compact 2 3/4 in (70 mm) diameter
- Eccentric load compensated
- 0.0008%/°F (0.0015%/°C) temp. effect on output
- Shunt calibration
- Low deflection

OPTIONS

- Connector protection
- Standardized output
- Transducer Electronic Data Sheet (TEDS)
- Custom calibration
- Multiple bridge
- Special threads
- Dual diaphragm
- Special temperature range
- Special connector

CONNECTOR OPTIONS

- PT02E-10-6P bayonet connector
- PC04E-10-6P screw-type connector

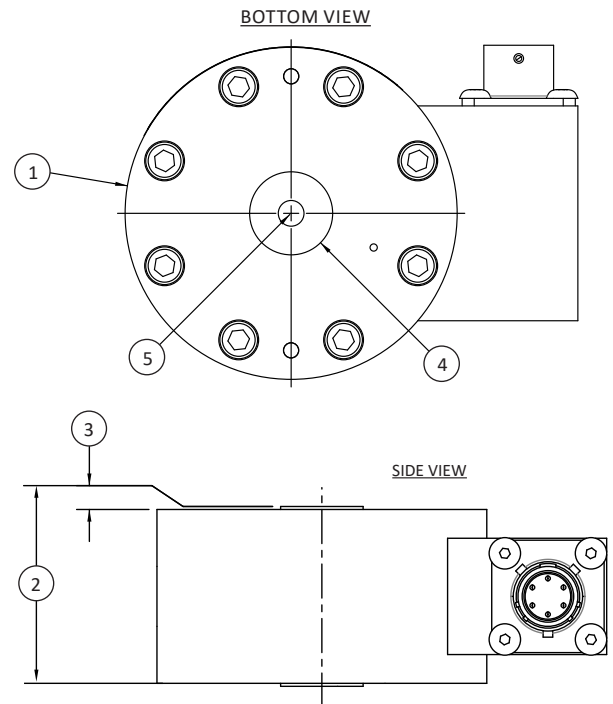
ACCESSORIES

- Mating connector
- Mating cable
- Instrumentation
- Loading hardware

STANDARD CONFIGURATION



Model 1500ASK-300 (Shown)



DIMENSIONS

See Drawing	CAPACITY	
	U.S. (lbf)	Metric (N)
	25, 50, 100, 200, 300	125, 250, 500, 1000, 1500
	in	mm
(1)	2.75	69.8
(2)	1.50	38.1
(3)	0.03 - 2X	0.6 - 2X
(4)	0.69	17.5
(5)	¼-28 UNF ↓ 0.25	M6 X 1-6H ↓ 6.4

International System of Units (SI) dimensions and capacities are provided for conversion only. Standard products have U.S. capacities and dimensions. SI capacities available upon special request and at an additional cost.

1500 STANDARD LOW CAPACITY LOAD CELL (U.S. & METRIC)

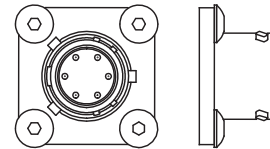
SPECIFICATIONS

ACCURACY – (MAX ERROR)		
Static Error Band – %FS		±0.05
Nonlinearity – %FS		±0.05
Hysteresis – %FS		±0.05
Nonrepeatability – %RO		±0.02
Creep, in 20 min – %		±0.03
Eccentric Load Sensitivity – % / in		±0.25
TEMPERATURE		
Compensated Range	°F	+15 to +115
	°C	-10 to +45
Operating Range	°F	-65 to +200
	°C	-55 to +90
Effect on Output – % / deg	°F	±0.0008
	°C	±0.0015
Effect on Zero – %RO / deg	°F	±0.0015
	°C	±0.0027
ELECTRICAL		
Rated Output – mV/V (Nominal)		2.0
Zero Balance – %RO		±1.0
Bridge Resistance – Ohm (Nominal)		700
Excitation Voltage – VDC MAX		20
Insulation Resistance – Megohm		5000
MECHANICAL		
Calibration		Tension & Compression
Safe Overload – %CAP		±150
Deflection @ RO	in	0.003
	mm	0.08
Natural Frequency	(lbf)	25, 50, 100, 200, 300
	(N)	125, 250, 500, 1000, 1500
	(Hz)	2000, 2500, 4000, 6000, 7500
Weight	lbs	1
	kg	0.45
Material		Aluminum

BAYONET CONNECTOR



Model 1500ASK-300 (Shown)



Model 1500AF-300 (Shown)

