

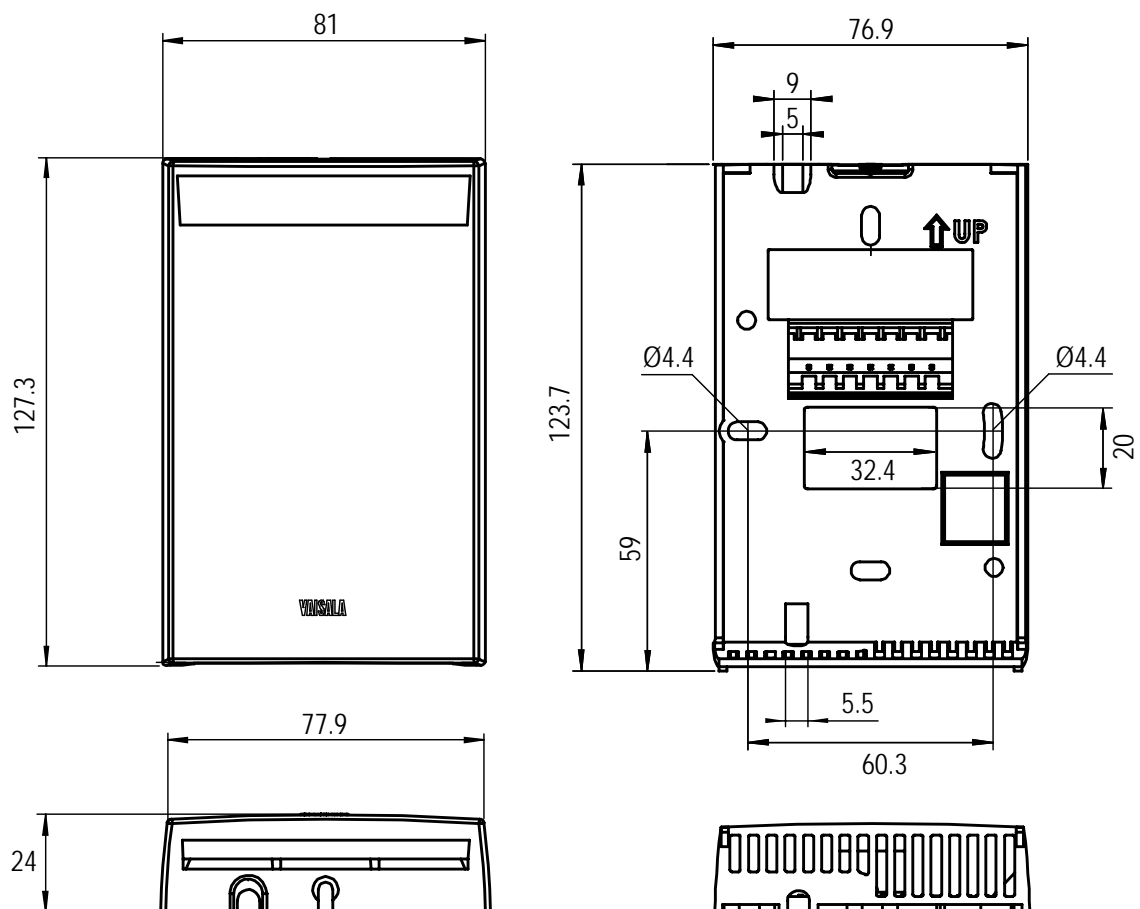
## INSTALLATION

1. Find a suitable mounting location for the transmitter. The conditions at the location should represent well the area of interest.

**NOTE** Do not install the transmitter on the ceiling. Avoid placing the transmitter near heat sources, ventilation, and direct sunlight.

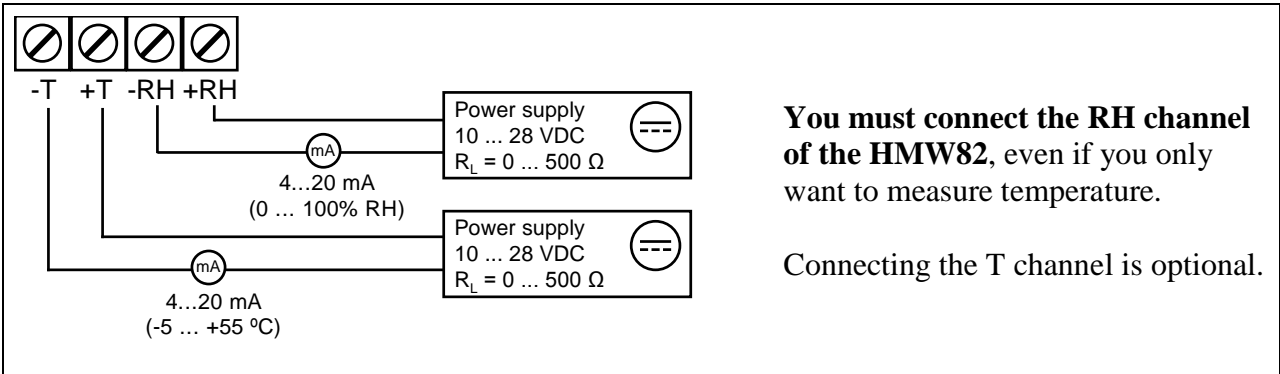
2. Use the mounting holes to attach the mounting base securely. Use at least two screws (not included). The arrow on the mounting base must point straight up after installation. Proper orientation is important, so that air will flow through the vents on the bottom and top.
3. Connect the wiring to the screw terminals on the mounting base. The supply voltage and terminal assignments are model-specific; see Wiring on page 2.
4. After completing the wiring, connect the cover over the mounting base.

### Dimensions (in mm)



# WIRING

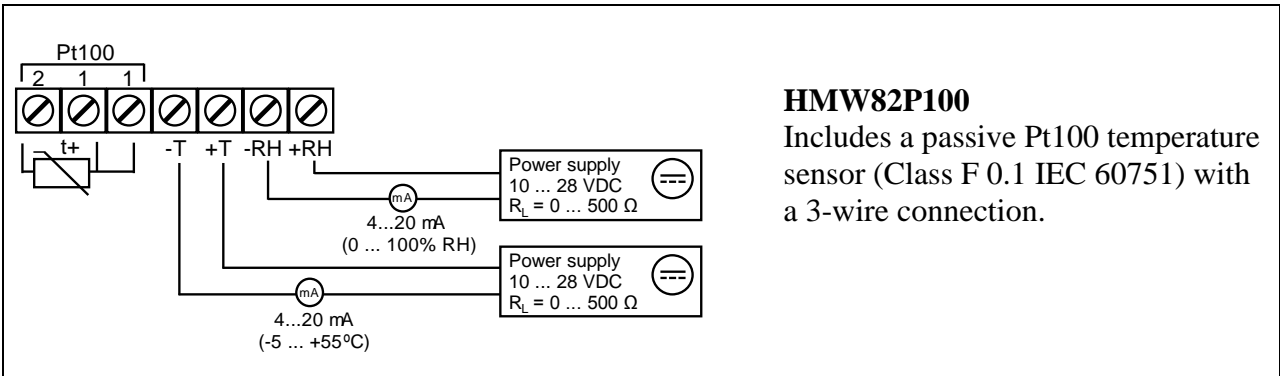
## HMW82



**You must connect the RH channel of the HMW82, even if you only want to measure temperature.**

Connecting the T channel is optional.

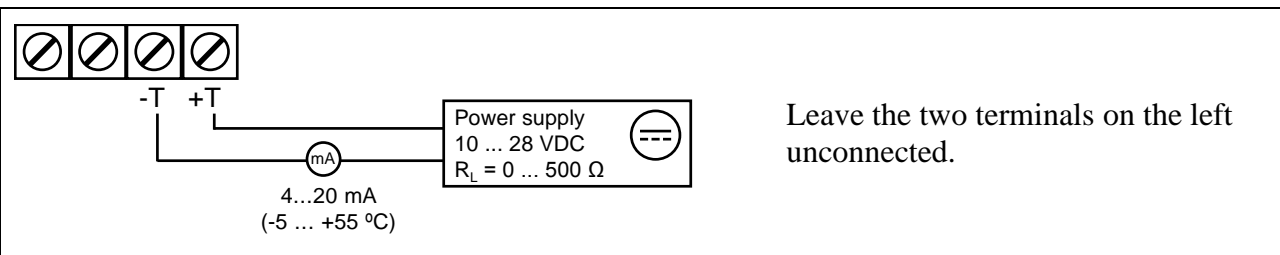
## HMW82P100



### HMW82P100

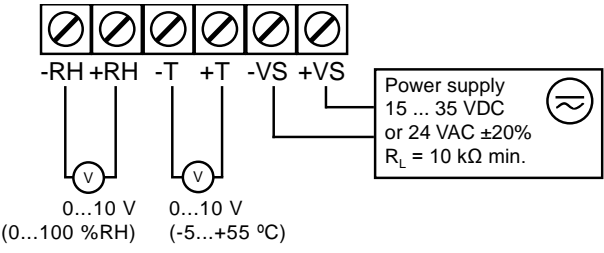
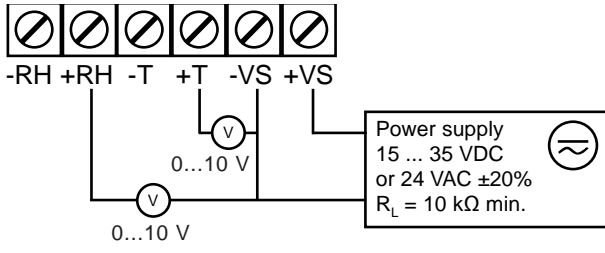
Includes a passive Pt100 temperature sensor (Class F 0.1 IEC 60751) with a 3-wire connection.

## TMW82

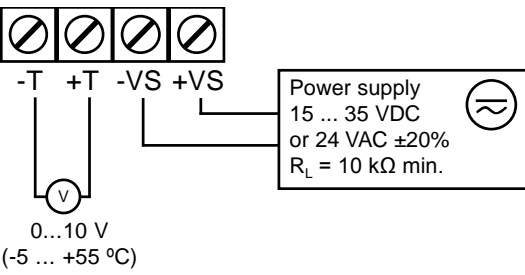
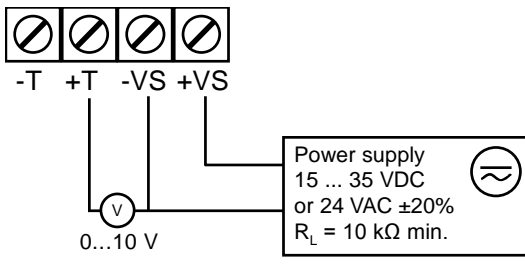


Leave the two terminals on the left unconnected.

### HMW83

 <p>Recommended wiring for long cables.</p>	 <p>3-wire connection with -VS as common ground. Not recommended if cable resistance is more than 2.5 Ω.</p>
--	--

### TMW83

 <p>Recommended wiring for long cables.</p>	 <p>3-wire connection with -VS as common ground. Not recommended if cable resistance is more than 2.5 Ω.</p>
---	---